

SOTERA®

400B SERIES ELECTRIC DIAPHRAGM PUMPS

Owner's Operation Manual



MADE IN  USA
WITH GLOBAL MATERIALS


GORMAN-RUPP
COMPANY

Table of Contents

Limited Warranty Policy 3

Basic Definitions 3

About This Manual..... 4

Symbols and Definitions..... 4

General Safety Information..... 5

Installation Best Practices 5

Electrical Installation 6

Best Operational Practices..... 8

Routine Annual Maintenance..... 8

Individual Pump Component Removal and Replacement 8

Diaphragm/Motor/Gear Assembly..... 9

Viscosity Correction Chart.....10

Anti-Drip Nozzle Spout Kit11

Diaphragm and Check Valve Orientation Detail11

Troubleshooting Guide12

Parts List13

Model Information14

Regulatory Compliance Information.....16

Thank You!

Thank you for your loyalty to the Sotera® brand of chemical, lubricant, and mixed hydrocarbon transfer pumps. Your safety is important, so please read and thoroughly understand the procedures set forth in this manual. Protect yourself as well as those around you by observing all safety instructions and adhering to all danger, warning, and caution symbols. Please save these instructions for future reference and record the model, serial number, and purchase date of your Sotera transfer pump. Please register your Sotera product via info.fillrite.com/sotera_product_registration.

IMPORTANT RETURN POLICY

Please do not return this product to the store. For all warranty and product questions, please contact Technical Support at 1 (800) 720-5192 or via email at SoteraTech@fillrite.com (M-F, 8 AM – 5 PM ET).

MODEL#	
SERIAL#	
PURCHASE DATE:	



Limited Warranty Policy

FROM DATE OF SALE	PRODUCT SERIES	
Five (5) Years	400 Series pump only (all models) Motor and meters not included	
Two (2) Years	820, 825, and 850 meters	
One (1) Year	All motors regardless of voltage class (explosion proof, non-explosion proof; 12V DC, 24V DC, and 115V AC)	Accessories are defined as fittings, hoses, swivels, filters, strainers that are purchased within a 400B pump package or separately for use with a 400B pump or 820, 825, or 850 meter

Basic Definitions

Chemtraveller®: A compact, low-profile frame to allow for pump mobility without needing to handle the pump itself.

Diaphragm: A flexible membrane constructed of a synthetic rubber used to displace fluid through the pump cavity.

IBC Mount: A stainless steel bracket that can be mounted onto the cage of any size IBC tote.

Mix-n-Go: A recirculation system design to fit onto a 9" IBC gem cap. Units with this device have the recirculation valve built into the pump.

Poise (P): A unit of measurement of dynamic viscosity. For the purpose of this manual, Sotera will utilize the measurement of Centipoises (cP) which is one hundredth of a Poise or one millipascal-second (mPa-s).

Positive Displacement: Constant volume at a fixed speed, independent of system pressure.

Pump-n-Go: Free-standing pump mobility. Systems with this designation do not have any mounting frames.

Recirculation: The process of mixing fluids through the pump without discharging from the container.

Suction Lift: The distance below the center line of the pump to lift fluids.





Viscosity (V): The measurement of flow fluid or resistance.

Wetted Parts: All parts that are touched by the transferred fluid either in part or through immersion.

About This Manual

From initial concept and design through final production, your Sotera product is built to provide years of trouble-free use. To ensure the safety of yourself and those around you, it is critical that this manual is read in its entirety prior to attempting to install or operate your new purchase. We strongly urge that any installer and operator become familiar with the terms, diagrams, and technical data in this manual and pay close attention to any **DANGER**, **WARNING**, **CAUTION**, or **NOTICE** information. At Sotera, your satisfaction with our products is paramount. If you have questions or need assistance with your product, please contact us at 1 (800) 720-5192 or via email at SoteraTech@fillrite.com (M-F, 8 AM – 5 PM ET).

Symbols and Definitions

 DANGER	Indicates a hazardous situation which, if not avoided, will result in death or serious injury.
 WARNING	Indicates a hazardous situation which, if not avoided, could result in death or serious injury.
 CAUTION	Indicates a hazardous situation which, if not avoided, could result in moderate or minor injury.
 NOTICE	Indicates information considered important but not directly hazard related.

General Description

The Sotera 400B Series is a self-priming, positive displacement double action diaphragm pump. It features flow rates up to 13 gallons per minute (13GPM) and is engineered with polypropylene and stainless steel wetted parts, along with seals that are compatible with most agricultural and industrial chemicals as well as lubricants (e.g. those found within power transmission). These wetted materials consist of a polypropylene body and valves, stainless steel fasteners, Hastelloy® check valve springs, Buna-N, EPDM and Fluorocarbon seals, along with Hytrel® and Santoprene® diaphragms.

Sotera utilizes a recognizable naming system where model numbers reference the diaphragm material. Models that begin with 'SS' (eg. SS415B) contain Santoprene diaphragms, while models that begin with 'FR' (eg. FR410B) contain Hytrel diaphragms. Santoprene is designed for moving agriculture chemicals while Hytrel is used with oils and lubricating fluids. We strongly recommend referring to the Sotera Chemical Resistance Guide found at sotera.com to determine proper materials of construction for use with your application.

The 400B Series pump is not compatible with strong acids (pH of 3.4 or below), strong bases (pH above 12), non-diluted flammable liquids with a flash point below 100°F/38°C, or bleach (sodium hypochlorite).

General Safety Information

⚠ WARNING

The 400B pump series is not intended to be used to fuel any aircraft, on or off road vehicle, or marine vessel.

This pump is not suited for use with fluids for human consumption.

Any electrical wiring should be performed ONLY by a licensed electrician in compliance with all local, state, and national electrical codes (NEC/ANSI/NFPA 30, 30A, and 70) as appropriate to the intended use of the pump.

Always ensure that the pump is properly grounded prior to use.

Improper installation or use of this pump can result in injury or death.

Mechanical Installation

⚠ WARNING

The mechanical yoke assembly is under extreme pressure. Never disassemble under any reason.

Always secure before use by anchoring any holding tank or barrel to prevent tipping under any condition.

⚠ CAUTION

Do not use any additional check valves or foot valves without consulting with Sotera Technical Service. These valves will restrict flow rate and possibly increase system pressure that will affect the transfer pump performance.

NOTICE

Threaded pipe joints and connections must be sealed with an appropriate sealant that is compatible with the fluid being transferred to minimize the possibility of leaks. Leaks of any kind can be detrimental to the environment and cause injury to operators if in contact with skin or eyes.

To maximize performance and longevity of your 400B Series pump, we recommend the following considerations:

NOTICE

Tanks and containers must be vented to prevent collapses.

- Tighten all non-metallic fittings to a snug fit to prevent leakage. Damage could occur to the pump if these fittings are over tightened.
- Do not use the pump as the structural support of the piping system.
- Be certain the system components are properly supported to prevent stress on the pump parts. As a rule and unless specifically designed into the pump, suction and discharge connections should be flexible to avoid damaging the pump body. Ensure that any connection material is compatible with the substance being transferred through the pump itself.

Installation Best Practices (Suction Side of Pump)

- All suction hoses should be reinforced to prevent collapse by system pressure.
- If there is a possibility of solids or debris within the liquid, at minimum, a 10 mesh screen (0.07") or less needs to be utilized either at the end of the suction pipe or entry into the suction side of the pump. Particles greater than 0.1" will adversely affect pump performance.
- All suction hoses or pipes must be 1" diameter. Large sizes may be used as long as it terminates to a 1" diameter at the suction inlet of the pump.
- Placement of the suction pipe should terminate 2" from the bottom to avoid particulate contamination unless a 10 mesh in-line screen is being used as noted.
- Maximum suction lift capacity is 9 FT (2.7 M) for water at sea level at 70°F. Suction lift for each application will be dependent on the Centipose (cP) of the individual fluid as affected by temperature and elevation.

Installation Best Practices (Discharge Side of Pump)

- All discharge hoses should be a minimum of 1" diameter. Large sizes may be used as long as it terminates to a 1" diameter at the discharge outlet of the pump.
- Hoses greater than 20' may be used, however, reduced outlet flow at the end of the hose or nozzle should be expected. Flow is dependent on the cP of the fluid as affected by temperature and elevation.
- Always use hoses and accessories that are compatible to the product being transferred. For hoses, as a general practice Sotera recommends EPDM for agricultural chemical and Nitrile or Buna-N for petroleum-based oils and lubricants.

Electrical Installation



Be certain the power switch is **OFF** prior to connecting the battery clamps/power cables to the power source to prevent unexpected starting of the motor. Unexpected motor start can cause unintended discharge of fluid, creating explosion/fire/chemical spill hazards.



Never disconnect the power cable while pump is switched on. Always switch the pump off **PRIOR** to disconnecting the 12V DC battery clamps or the 110V AC plug from the power source. Electrical sparks or short can occur if not disconnected properly.

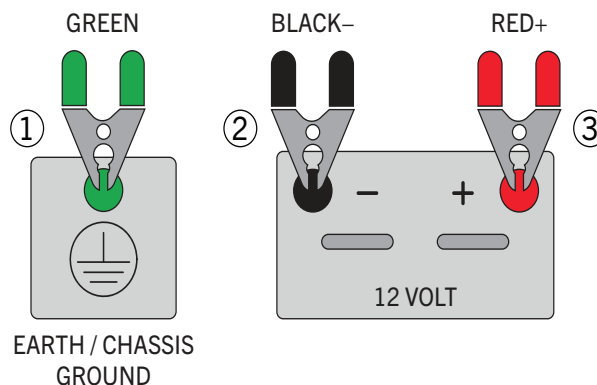
Electrical wiring installation should **ONLY** be performed by a licensed electrician in compliance with all local, state, and national electrical codes (NEC/ANISI/NFPA 30, 30A, and 70) as appropriate for the intended use of the pump.

DC Power



Various models of the 400B Series are direct current (DC) through either an explosion-proof or non-explosion proof motor at either 12V DC or 24V DC power. These same models may or may not have supplied cables for connection to either a positive or negative battery terminal. For 12V DC circuits, a 30 amp fuse (20 amp fuse on 24V DC motors) should be installed on the battery cable to protect the electrical system in case of a short. This fuse should be placed on the positive cable.

- Sotera strongly recommends grounding the pump and motor prior to any usage.
- Electrically bonding to a vehicle frame or utilizing a ground circuit for stationary applications are preferred grounding methods. Always consult with a licensed electrician for your application.
- Inspect any and all power and grounding cables prior to each use. Replace if the outer protective jacket has been removed to expose any wires.
- For 12V DC non-explosion proof motors, the power cable terminates with battery clamps that are either red (+) or black (-); however a ground wire is not included.
- For 12V DC explosion-proof motors, in general, neither a ground wire, power cable, or battery clamps are provided. See pages 14-15 for specific included components.
- DO NOT connect the ground wire to the negative post of the DC power source.
- All non-explosion proof 12V DC models come with a preinstalled power wire. 12V DC models will have a 30 amp fuse holder and fuse.
- 12V DC and 24V DC explosion-proof models will not have a power cord installed but may include a power cable separately, depending on model configuration.



Utilizing the diagram above, proceed with the following connections:

1. Ground connection (green clamp or eyelet)
2. Negative connection (black clamp)
3. Power connection (red clamp)

AC Power

⚠ DANGER

All AC pumps will operate at the rated nameplate voltage.

AC power should be supplied to the pump from a dedicated circuit with a 15 amp circuit protection. No other equipment should be powered by this circuit.

Wiring must be of sufficient size to carry the correct current for the pump.

Voltage drop will vary with distance to pump and size of wire. Refer to the National Electrical Code (NEC) or local codes for voltage drop compensation to be sure you are using the correct size wire for your application. Undersized wires can overheat and cause a fire.

Ensure proper grounding to avoid electrocution.

Models of 400B Series pumps with explosion-proof motors are classified for Class 1, Division 1 locations. It is highly recommended that any repairs be done by an authorized distributor to avoid voiding the warranty. It is important to maintain the explosion-proof integrity of the motor and system components.

Electrical wiring installation should be performed **ONLY** by a licensed electrician in compliance with local, state, and national electrical codes (NEC/ANSI/NFPA 70, NFPA30, and NFPA 30A) as appropriate to the intended use of the pump.

⚠ CAUTION

Voltage drop in wiring varies depending on the distance from the electrical source to the pump and the gauge of the wire used. Sotera recommends referring to national, international, or local electrical codes to ensure the wire is of the correct size for your application. The following chart is to be used as a reference and is not a substitute to electrical codes:

Maximum Linear Distance (FT) of Solid and Stranded Copper Wire Length by Gauge								
	AWG	16	14	12	10	8	6	4
Wire	Solid	39	62	99	158	250		
	Stranded	38	61	96	154	245	389	620

Available AC Voltage Classes

- 115V AC, 60Hz, 2.5 amps, ¼ HP (185 Watts) motor, standard non-explosion proof.
- 115V AC, 60Hz, 2.5 amps, ¼ HP (185 Watts) motor, explosion proof uL listed.
- All non-explosion proof 110V AC models come with a preinstalled power cable. These models will terminate with a type B (3 pin) grounded, 15A plug that is compatible with type B sockets.
- 110V AC explosion-proof models will not have a power cord installed but may include a power cable separately, depending on model configuration as outlined on pages 14-15.

Best Operational Practices

Regular maintenance is critical to maintaining performance and extending the life of your 400B Series pump.

- Always turn off the transfer pump and disconnect from a power source prior to servicing.
- Always flush the pump completely prior to any service or disassembly. Sotera recommends the use of water for flushing agricultural and industrial chemicals. For petroleum-based products such as oils and lubricants, flushing with diesel fuel is acceptable.
- **DO NOT PRESSURIZE THE FLUSHING FLUID.** Damage to the pump will occur. Instead, submerge the suction tube or inlet adapter in the flushing fluid, then operate the pump as normal for approximately 15-30 seconds or until the flushing fluid returns to its initial color. Allow the pump to air dry prior to any service.
- **DO NOT SUBMERGE THE ENTIRE PUMP OR ELECTRICAL MOTOR IN THE FLUSHING FLUID, ONLY THE SUCTION TUBE OR INLET ADAPTER.**
- Do not allow chemicals, lubricants, or oils to remain in the internal pump cavity for any extended period of time. Crystallization or a glum could become present, adversely affecting pump performance.
- Sotera highly recommends flushing the pump after each use to avoid 'dry out' and contamination between fluid transfers.
- The interior pump cavity is filled with SAE 30W oil by the factory in order to lubricate the internal gear drive mechanism and yoke assembly. Certain pump repairs will require the draining of this fluid. If necessary, remove one of the site caps found on the exterior of the pump body and drain the oil through this port. Replace with new SAE 30W oil after repairs are completed through the same port. Sotera recommends 16 oz of oil to be placed inside the cavity or until level is halfway within the site glass.

Routine Maintenance Schedule

1. Always check oil level by the sight glass prior to any fluid transfer. The ideal oil level should be at the mid line or halfway point of both site glasses. Add SAE 30W oil as needed to maintain the necessary level.
2. Inspect all external Torx(r) head screws are tight. If any screws appear to be loose, torque to 75 in-lbs.
3. Inspect all motor flange hex head bolts are tight. If any bolts appear to be loose, torque to 50 in-lbs.
4. Either annually or after 500 hours of usage, drain the existing SAE 30W weight oil through a site glass port and replace with approximately 16 oz of the same oil.

Individual Pump Component Removal and Replacement *(refer to exploded pump view, page 13)*

WARNING

DO NOT DISASSEMBLE EXTERNAL GEAR ASSEMBLY. The planetary gears and ring gear are marked for proper assembly and must not be altered. Never disassemble yoke assembly. This is under extreme pressure and injury could result.

CAUTION

Use care in removing the diaphragm and check valve assemblies to avoid damage to the pump body. **DO NOT** pry the diaphragm/check valve assembly away from the pump body with sharp or metal tools. Scratching or otherwise damaging the pump body may cause leaks.

NOTICE

Do not attempt to replace individual parts. Replace entire assembly when required (Kit 400F6557).

Diaphragm Assembly Replacement

Both the diaphragms and check valve assemblies can be serviced without removing the oil from the interior pump body cavity. It is important that only one (1) assembly be serviced at a time. Avoid any possible contamination of the oil within the internal pump cavity during this repair.

Procedure

1. Turn the pump on its side by which the diaphragm to be repaired is facing upward while the opposite diaphragm is facing downward.
2. Remove the eight (8) diaphragm cover screws. This will require a Torx T30 bit.
3. Remove the cover and turn it over to expose the inner side to avoid any contamination. The cover will have a gasket seal. It is highly recommended that this seal be replaced during this repair.
4. Remove the four (4) retainer screws with a Phillips #2 screwdriver. These screws have a seated O-ring. It is recommended to replace both the screws and O-ring during this repair.
5. Remove the diaphragm assembly by pulling on the four edge corners of the diaphragm itself, being careful to not tear or curl the diaphragm. If necessary, pulling on the check valve assemblies is acceptable. Do not use any tools to pry the diaphragm off the pump body as this could damage the surface of the pump. Be sure to retain the four (4) check balls that are within the cavity of the pump. These may be removed with the diaphragm.
6. Install new diaphragm assembly in the same orientation as the one that was removed. Important that the check balls are seated prior to the diaphragm assembly placement.
7. Insert the four (4) Phillips head screws and tighten to 35 in-lbs.
8. Install the diaphragm cover with installed gasket. It is important to hand start all external screws prior to driving to a torque specification of 75 in-lbs.

Motor with Gear Assembly Removal

1. Position the pump with the sight caps downward.
2. Remove the four (4) screws holding this assembly and lift upward.
3. Replace with new motor and gear assembly as supplied by Sotera.

Gear Assembly Removal

1. Remove motor as noted above.
2. Remove six (6) screws and key holding the gear pack assembly on the motor shaft.
3. Replace with new assembly, install new screws, and key.

Internal Mechanical Components *(Bearing Plate, Yoke, and Drive Shaft Assembly)*

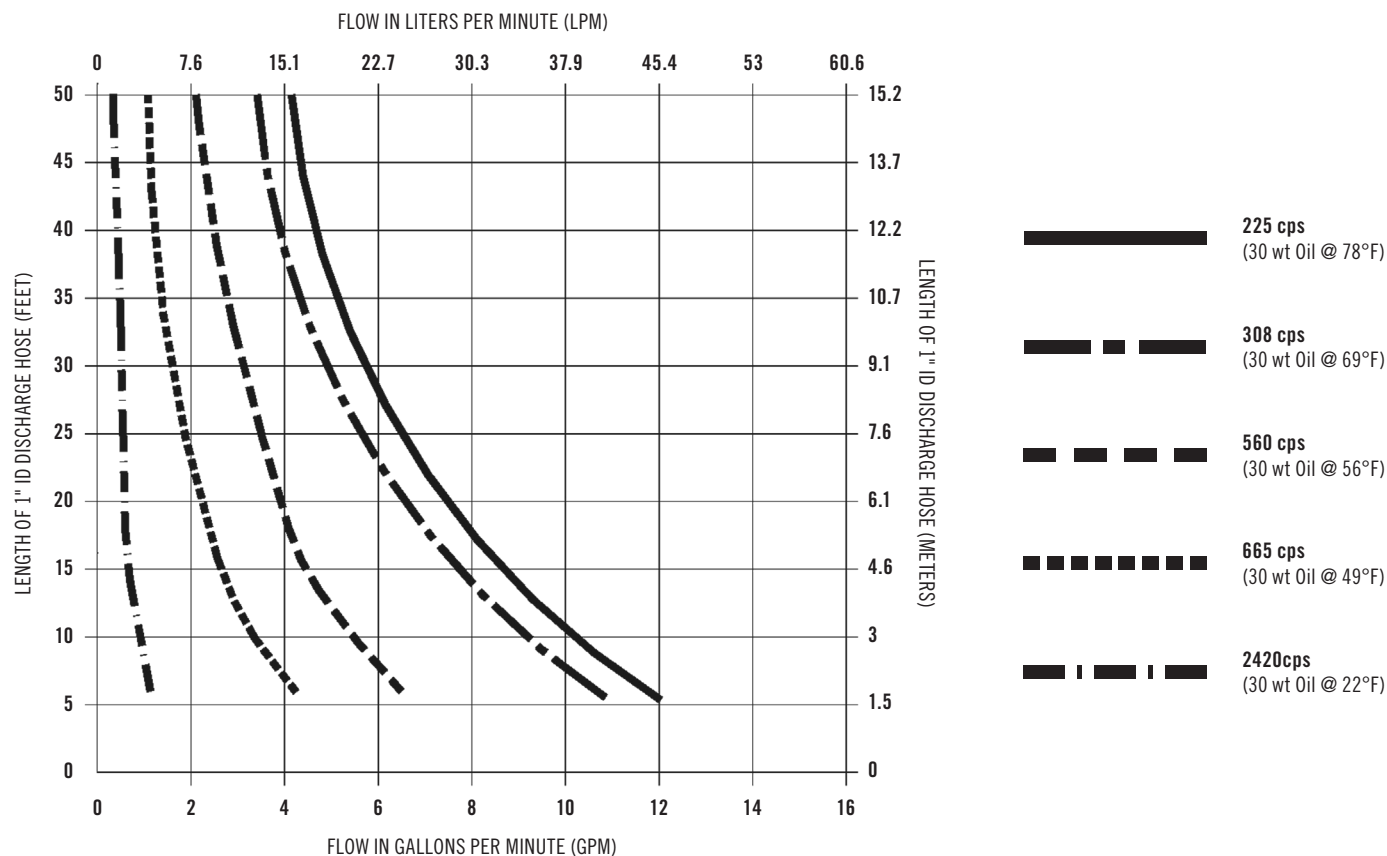
1. Remove motor and gear assembly from pump cavity.
2. Drain oil from interior cavity through this opening.
3. Remove four (4) screws holding bearing plate.
4. Remove bearing plate, allowing for the thrust plate to be removed as well.
5. Remove drive shaft, bearing, bearing ring, and yoke assembly.

NOTICE

The yoke assembly is under pressure by two springs. Do not attempt to repair, only replace with factory authorized parts.

6. Assemble in reverse order.

Viscosity Correction Chart



NOTES:

- SUCTION LOSSES:** Test pump was mounted on a 55 gallon drum of oil, ½ full. A Sotera 1" suction pipe was used. A longer or smaller diameter inlet pipe will lower the flow rate.
- VERTICAL HEAD LOSSES:** Test hose was horizontal with pump. Add 3 feet of hose for each 1 foot of vertical rise.
- OTHER LOSSES:** Elbows, quick-disconnects, swivels, and check valves in outlet or inlet hoses will restrict the flow. Add the estimated length of hose for each component used.

Fluid Compatibility by Diaphragm (Typical)

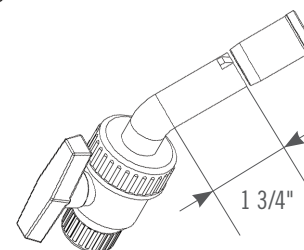
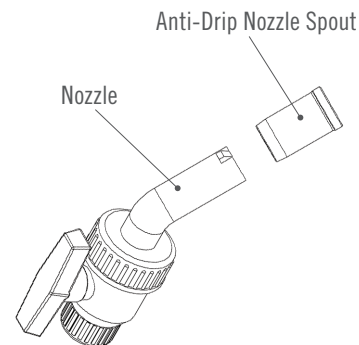
HYTREL (PETROLEUM)		SANTOPRENE (CHEMICAL)	
• Gear Oil [GL-1 to GL-5]	• Motor Oil	• Crop Oil	• Mild Acids
• Hydraulic Oil [HL, HM, HR]	• 000 Greases	• Detergents	• Pesticides
		• Liquid Fertilizers [UAN 28-32]	• Soaps
			• Water

Anti-Drip Nozzle Spout Kit 400KTF0237

For use with Norwesco and other nozzles with a 1 3/16" outside diameter.

Installation

1. If there is a raised plastic notch on the nozzle, carefully remove it with a file before installing the anti-drip spout.
2. Apply soapy water to the end to aid in the installation. Place the anti-drip spout on the nozzle as shown at right. Tap the spout with a rubber mallet until it is fully engaged. The space between the end of the spout and the bend in the nozzle should be slightly more than 1 3/4" when pressed fully into place.

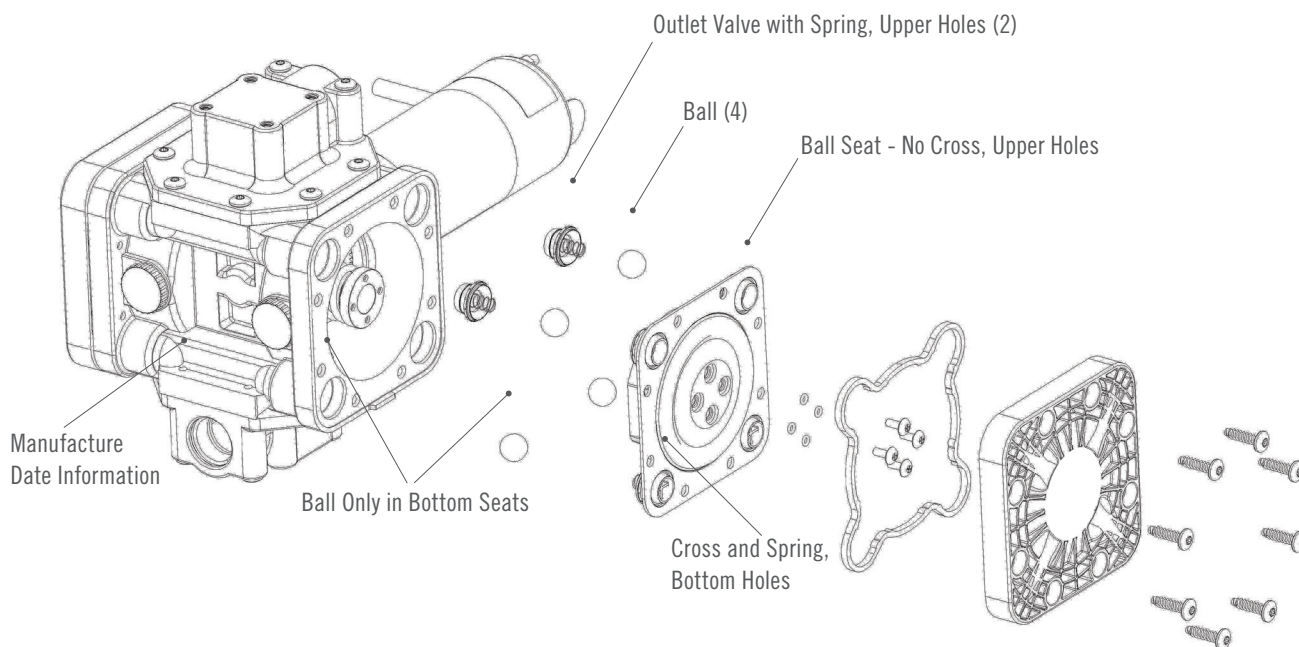


Proper Use

Place the nozzle into the container to be filled **BEFORE** turning the pump on.

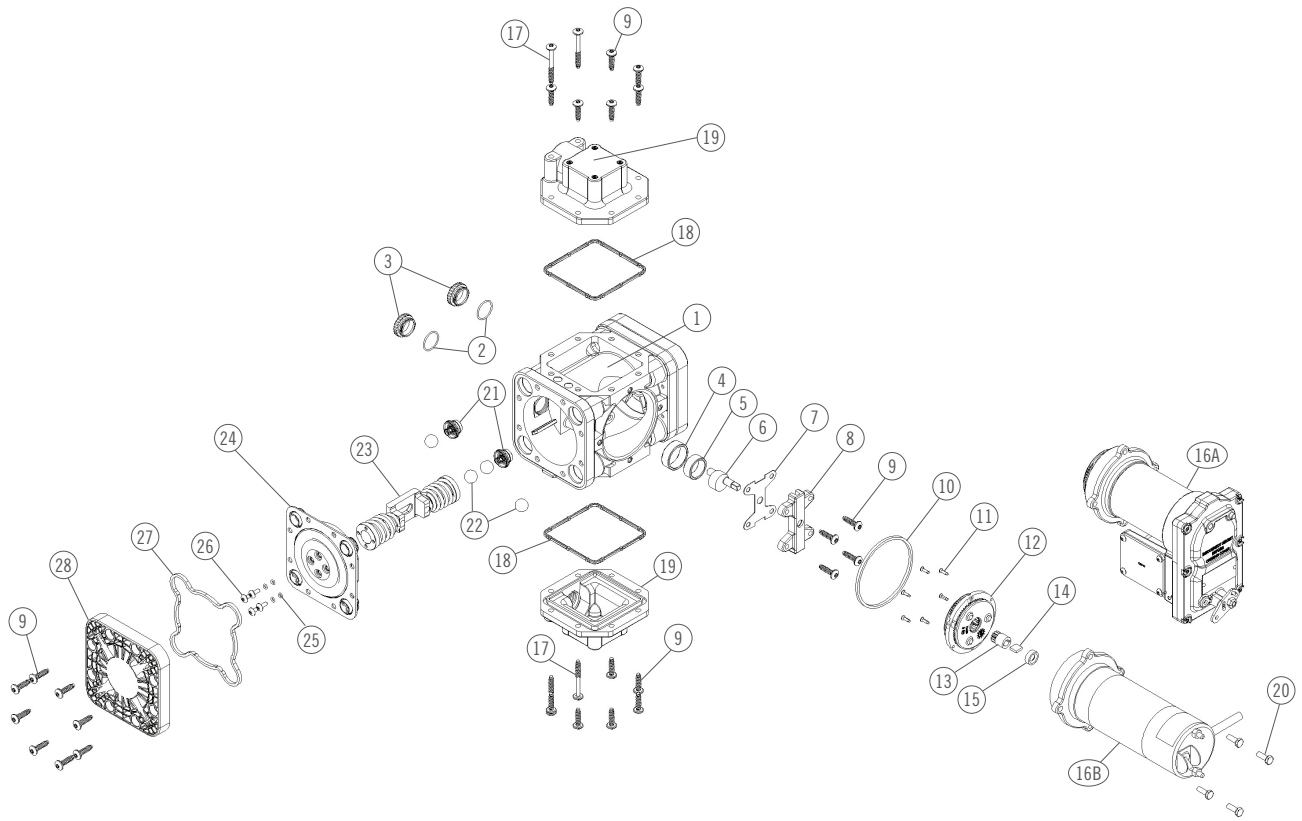
After pumping, shut off the valve handle then gently shake the nozzle **BEFORE** removing it from the container. The spout will open when it senses pressure greater than 1 psi. Flow restriction will be minimal.

Diaphragm and Check Valve Orientation Detail



Troubleshooting Guide

SYMPTOM	POSSIBLE CAUSE	SOLUTION
Pump will not prime	Suction line problem	Check for leaks in suction line
	Leaky check valves	Check for dirt or damaged check valves and replace
	Check valves improperly installed	Check for proper installation
	Outlet plugged	Check for blockage and clear
	Motor not operating	Check power source
	Stripped or damaged gears	Repair or replace motor. Check gear assembly and drive gear for damage. Replace complete assembly if necessary
Pump hums but will not rotate	Motor faulty	Replace motor
	Gear mechanism jammed	Check for free rotation of the gears
Low pump capacity	Low voltage	Check power source
	Leaky suction line	Repair leaks
	Dirt in check valve	Dismantle and clean
	Faulty check valves	Install repair kit
	Debris ingested	Add inlet screen
Motor overheats	Pumping hot fluids	Shorten duty cycle
	Motor faulty	Replace motor
Fluid leakage	Faulty or missing gaskets	Install all gaskets specified in parts list
	Loose bolts	Torque all 1/4" torx head bolts to 76 in. lbs.
	Cracked component	Torque hex head 1/4-20 motor bolts to 50 in. lbs. Replace defective component



PARTS LIST

ITEM	DESCRIPTION	QTY	ITEM	DESCRIPTION	QTY
1	Pump Body	1	15	Shaft Lip Seal, 400 Motor Shaft	1
2	O-Ring Nitrile, -022	2	16A, 16B	Motor Assembly (see charts below for motor specifics)	1
3	Sight Cap	2	17	Screw, ¼ - 10 x 2.25 PTS-SS	4
4	Bearing Ring	1	18	Flange Gasket - EPDM	2
5	Brushing, 1.250 OD. x 1.00 ID.	1	19	90° Flange with Inserts	2
6	Drive Shaft	1	20	Screw, ¼ - 20 x .750 LG	4
7	Thrust Plate	1	21	Outlet Check Valve	4
8	Bearing Plate	1	22	Ball	8
9	Screw, ¼ - 10 x 1.00 PTS-SS	32	23	Yoke Assembly	1
10	O-Ring, Lathe Cut Nitrile	1	24	Diaphragm Assembly	2
11	Screw, 6-32 Flat Head Trilobular	6	25	O-Ring, EPDM, -007	8
12	Gear Pack Assembly	1	26	PHM Screw, 10 - 24 x .5 LG	8
13	Drive Gear	1	27	Diaphragm Cover Gasket - EPDM	2
14	Key, Rotor	1	28	Diaphragm Covers	2

ITEM	UL LISTED / CE CERTIFIED MOTORS	QTY
16A	12V DC CE Compliant Explosion Proof	1
16A	12V DC UL Listed Explosion Proof	1
16A	24V DC UL Listed Explosion Proof	1
16A	115V AC UL Listed Explosion Proof	1

ITEM	STANDARD-DUTY MOTORS	QTY
16B	12V DC	1
16B	115V AC	1

400B Series Model Information

LUBRICATING FLUIDS APPLICATIONS ¹					
MODEL NUMBER	VOLTAGE	INLET CONFIGURATION ²	ACCESSORIES		
			STEEL SUCTION INLET	DISCHARGE	
				1" MANUAL NOZZLE	HOSE ³
HYTREL/NBR DIAPHRAGM					
FR205B	24V DC UL EXP	AA	No Accessories		
FR205BX054		BB			
FR210B		AA	X	X	12'
FR405BEXP054	12V DC UL EXP	BB	No Accessories		
FR410B	12V DC	AA	X	X	12'
FR410BEXP	12V DC UL EXP		X	X	12'
FR450B	115V AC		X	X	12'

ACCESSORY CONFIGURATORS BY MODEL ⁴									
MODEL	VERSION	FEMALE CAMLOCK COUPLER	1" POLY SHORT NIPPLE	2" TO 1" POLY REDUCER BUSHING	1" BALL VALVE & NOZZLE	HOSE BARBS & CLAMPS	DIGITAL METER		FRAME
							825	850	
Pump-N-Go	A	2"	-	X	X	X	-	-	-
Chemtraveller®	A	1"	X	-	X	X	X	-	Short
	B	2"	X	X	X	X	-	X	Short
	C	2"	X	X	X	X	-	-	Short
	D	1"	X	-	X	X	X	-	Tall
	E	-	-	-	X	X	-	-	Tall
Mix-N-Go	A	-	-	-	X	X	X	-	-

¹Always refer to the Sotera Chemical Resistance Guide (Sotera.com), ²Refer to the Sotera Technical Data Sheet, Suction table, Inlet Configuration column for more details, ³Non-UL w/ static wire fuel hose, ⁴Refer to the Sotera Technical Data Sheet, Version column for specific 400B Series Model Information.

400B Series Model Information (continued)

CHEMICALS: AGRICULTURE & INDUSTRIAL ¹									
			ACCESSORIES						
			SUCTION INLET	DISCHARGE					
SANTOPRENE / EDPM DIAPHRAGM									
MODEL NUMBER	VOLTAGE	INLET	POLY ²	HOSE ³	ANTI-DRIP POLY	HOSE ³	SPECIAL	VERSION ⁴	
SS411BCEXP	12V DC CE EXP	FF	No Accessories						-
SS413BCEXP6PG		EE	-	39"	X	12'	Pump-N-Go	A	
SS415B	12V DC	AA	No Accessories						
SS415BX670		AA							
SS415BEXP670	12V DC UL EXP	EE							
SS415BX731	12V DC W/ BRACKET	AA							
SS415BX731PG		AA							
SS417B	12V DC	DD	X	-	X	Includes 1" Ball Valve, Hose Barbs, & Clamps	-		
SS419BX665		CC	X	-	X	Monsanto Coupler, Support Bracket for Pump	-		
SS420B		AA	X	-	X	Nozzle Hanger on Pump	-		
SS425B		-	39"	X	IBC Mount w/ Fittings	-			
SS435B		-	9'	X	Chemtraveller	A			
SS435BCEXP		12V DC CE EXP	EE	-	9'	X	Chemtraveller	B	
SS435BX675		12V DC		-	9'	X	Chemtraveller (All EPDM)	A	
SS435BX700				-	9'	X	Chemtraveller	C	
SS435BX713	-			9'	X				
SS435BEXPX703	12V DC UL EXP	-		9'	X				
SS445B	12V DC	9" GEMCAP	X	-	X	Mix-N-Go w/ Recirculation & Check Valve	A		
SS445BX700			X	-	X	Mix-N-Go w/ Recirculation & Check Valve (All EPDM)	A		
SS445BX727			X	-	X	Mix-N-Go w/ Recirculation & Check Valve	A		
SS460B	115V AC	AA	X	-	X	Nozzle Hanger on Pump, 1" Ball Valve Nozzle, Barbs & Clamps			
SS460BX674		EE	X	-	X				
SS460BX731	115V AC W/ BRACKET	CC	X	-	X	Pump-N-Go			
SS460BX731PG			X	-	X				
SS465BEXP	115V AC UL EXP	EE	-	9'	X	Chemtraveller	D		
SS465BX713	115V AC		-	9'	X	Chemtraveller	E		
SS470B			-	39"	X	IBC Mount w/ Fittings	-		

¹Always refer to the Sotera Chemical Resistance Guide (Sotera.com), ²Telescoping Poly Suction Pipe (23" to 40"), ³EPDM Hose, ⁴Refer to page 14, Accessory Configurator table

Regulatory Compliance Information



The “400B CE” Series pumps comply with the European Directive 2006/42/EC Machinery Directive

The following standards were used to verify conformance:

EN 809:1998 +A:2009 - Pumps and pump units for liquids – common safety requirements

EN ISO 12100:2010 – Safety of machinery – basic concepts, general principal for design

Directive 2014/30/EU – Electromagnetic compatibility

EN 61000-6-4:2007 / +A1:2011 – General standard for industrial environments

Directive 2011/65/EU – Restrictions of the use of certain hazardous substances in electrical and electronic equipment



Specific models of the 400 Series pumps feature UL/cUL listed electric motors. Check your model versus the **MODEL / ACCESSORIES / CONFIGURATION INFORMATION** table (page 14-15) to determine how your particular pump is equipped.

SOTERA®

Fill-Rite Company

8825 Aviation Dr, Fort Wayne, IN 46809 USA

P (800) 720-5192 | (260) 747-7524

F (800) 866-4861

fillrite.com | soteracom | gormanrupp.com

SOTERA[®]

POMPES À MEMBRANE ÉLECTRIQUES SÉRIE 400B

Manuel de l'utilisateur



MADE IN 
USA
WITH GLOBAL MATERIALS


GORMAN-RUPP
COMPANY

Table des matières

Garantie limitée 3

Définitions importantes..... 3

À propos de ce manuel 4

Symboles et définitions 4

Information sur la sécurité..... 5

Pratiques exemplaires d'installation..... 5

Installation électrique..... 6

Meilleures pratiques d'utilisation..... 8

Entretien courant annuel..... 8

Dépose et remplacement de composants individuels de la pompe 8

Ensemble membrane / moteur / réducteur 9

Table de correction de viscosité 10

Trousse embout de buse antigoutte 11

Détail d'orientation de la membrane et des clapets antiretour 11

Guide de dépannage 12

Liste des pièces..... 13

Information sur les modèles..... 14

Information sur la conformité réglementaire..... 16

Merci!

Merci pour votre loyauté envers la marque de pompes de transfert de produits chimiques, lubrifiants et hydrocarbures mixtes Sotera®. Votre sécurité est importante, c'est pourquoi nous vous invitons à lire et à bien comprendre les instructions figurant dans ce manuel. Protégez-vous et tous ceux qui vous entourent en respectant toutes les consignes de sécurité, ainsi que tous les symboles Danger, Avertissement et Attention. Veuillez conserver ce manuel pour tout référence ultérieure et y consigner le modèle, le numéro de série et la date d'achat de la pompe de transfert Sotera. Veuillez enregistrer ce produit Sotera à l'adresse info.fillrite.com/sotera_product_registration.

POLITIQUE DE RETOUR - IMPORTANT

Veuillez ne pas retourner ce produit au magasin. Pour toute garantie et des questions sur le produit, veuillez contacter le support technique au 1 (800) 720-5192 ou par courriel à SoteraTech@fillrite.com (du lundi au vendredi, de 8 h 00 à 17 h 00 HE).

N° DE MODÈLE	
N° DE SÉRIE	
DATE D'ACHAT :	



Garantie limitée

À COMPTER DE LA DATE D'ACHAT	SÉRIE DE PRODUITS	
Cinq (5) ans	Pompe série 400 seulement (tous modèles) <i>Moteur et compteurs non inclus</i>	
Deux (2) ans	Compteurs 820, 825 et 850	
Un (1) an	Tous les moteurs, indépendamment de la classe de tension (antidéflagrant, non antidéflagrant; 12 Vcc, 24 Vcc et 115 Vca)	Accessoires tels que raccords, flexibles, tuyaux, joints articulés, filtres et crépines achetés dans le cadre d'une pompe 400B complète ou séparément à des fins d'utilisation avec une pompe 400B ou un compteur 820, 825 ou 850

Définitions importantes

Chemtraveller® : Cadre compact et peu encombrant qui permet les déplacements sans manipuler la pompe elle-même.

Membrane : Une membrane souple en caoutchouc synthétique utilisée pour déplacer le liquide à travers la cavité de la pompe.

Support pour IBC : Un support en acier inoxydable qui peut être monté sur la cage d'un conteneur IBC de toute taille.

Mix-n-Go : Système de recirculation conçu pour s'adapter sur un capuchon GEM pour IBC de 9 po. Sur les produits équipés de ce dispositif, la vanne de recirculation est intégrée à la pompe.

Poise (P) : Unité de mesure de la viscosité dynamique. Aux fins du présent manuel, Sotera exprime cette grandeur en centipoise (cP), qui est égal à un centième de Poise ou à une millipascal-seconde (mPa-s).

Volumétrique : Indique un volume constant à vitesse fixe, indépendamment de la pression du système.

Pump-n-Go : Modèle de pompe autonome mobile. Les systèmes ayant cette désignation ne comportent pas de cadre de montage.

Recirculation : Processus consistant à mélanger les liquides au moyen de la pompe sans les décharger du contenant.

Hauteur d'aspiration : Distance verticale entre le liquide à lever et l'axe médian de la pompe.

Viscosité (V) : Mesure de la résistance à l'écoulement du liquide.

Pièces mouillées : Toutes les pièces au contact du liquide transféré, soit en partie, soit par immersion.

À propos de ce manuel

Du concept initial jusqu'à la fabrication finale, ce produit Sotera est construit pour offrir des années d'utilisation sans problème. Pour assurer votre sécurité et celle de votre entourage, il est impératif de lire ce manuel en entier avant de tenter d'installer ou de faire fonctionner ce nouveau produit. Nous recommandons vivement à tout installateur et utilisateur de se familiariser avec la terminologie, les schémas et les données techniques figurant dans ce manuel et d'accorder une attention particulière à tout message **DANGER**, **AVERTISSEMENT**, **ATTENTION**, ou **IMPORTANT**. Chez Sotera, votre satisfaction vis-à-vis de nos produits est primordiale. Si vous avez des questions ou avez besoin d'aide avec votre produit, veuillez nous contacter au 1 (800) 720-5192 ou par e-mail à SoteraTech@fillrite.com (M-F, 8 AM - 5 PM HE).

Symboles et définitions



Indique une situation dangereuse qui, si elle n'est pas évitée, provoquera la mort ou des blessures graves.



Indique une situation dangereuse qui, si elle n'est pas évitée, peut provoquer la mort ou des blessures graves.



Indique une situation dangereuse qui, si elle n'est pas évitée, peut provoquer des blessures modérées ou mineures.

NOTICE

Indique une information considérée importante mais sans rapport direct avec un danger.

Description générale

La Sotera série 400B est une pompe volumétrique à membrane double action auto-amorçante. Elle offre des débits jusqu'à 49 l/min (13 gal/min) et sa conception comporte des pièces mouillées en polypropylène et en acier inoxydable, ainsi que des joints qui sont compatibles avec la majorité des produits chimiques agricoles et industriels, ainsi que des lubrifiants (comme ceux utilisés dans les systèmes de transmission). Ces matériaux mouillés sont notamment le corps et les clapets en polypropylène, la visserie en acier inoxydable, les ressorts de clapet antiretour en Hastelloy®, les joints en Buna-N, EPDM et fluorocarbone, ainsi que les membranes en Hytrel® et en Santoprene®.

Pour faciliter l'identification, les numéros de modèle Sotera contiennent une référence au matériau de la membrane. Les modèles qui commencent par « SS » (SS415B par ex.) comportent des membranes en Santoprene, alors que les modèles qui commencent par « FR » (FR410B par ex.) comportent des membranes en Hytrel. Le Santoprene est conçu pour le transfert de produits chimiques agricoles, tandis que l'Hytrel est utilisé avec des huiles et des liquides lubrifiants. Nous conseillons vivement de consulter le guide de résistance chimique Sotera (Chemical Resistance Guide) accessible à sotera.com pour déterminer les matériaux de fabrication qui conviennent à l'utilisation considérée.

La pompe série 400B n'est pas compatible avec les acides forts (pH de 3,4 ou moins), les bases fortes (pH supérieur à 12), les liquides inflammables non dilués à point d'éclair inférieur à 38 °C / 100 °F ou l'eau de Javel (hypochlorite de sodium).

Information sur la sécurité

AVERTISSEMENT

Les pompes de la série 400B ne sont pas conçues pour le ravitaillement d'avions, de véhicules routiers ou non routiers ni de bateaux.

Cette pompe ne convient pas à une utilisation avec des fluides destinés à la consommation humaine.

Tout câblage électrique doit être exécuté UNIQUEMENT par un électricien qualifié en conformité avec les codes de l'électricité en vigueur (NEC/ANISI/NFPA 30, 30A et 70), comme il se doit en fonction de l'utilisation prévue de la pompe.

Toujours s'assurer que la pompe est correctement mise à la terre avant de l'utiliser.

Une installation ou une utilisation incorrecte de cette pompe peut entraîner des blessures ou la mort.

Installation mécanique

AVERTISSEMENT

L'étrier mécanique est soumis à une pression extrême. Ne jamais le démonter pour quelque raison que ce soit.

Avant utilisation, toujours l'attacher solidement à tout baril ou réservoir de stockage pour éviter son basculement quelles que soient les conditions.

ATTENTION

Ne pas utiliser de clapets antiretour ou de clapets à pied supplémentaires sans consulter le service technique de Sotera. Ces clapets limitent le débit et peuvent augmenter la pression du système, ce qui aurait une incidence sur le fonctionnement de la pompe de transfert.

NOTICE

L'étanchéité des joints et raccords de tuyauterie filetés devra être assurée au moyen d'une pâte d'étanchéité adaptée compatible avec le liquide à transférer afin de minimiser les risques de fuite. Toute fuite peut nuire à l'environnement et présenter un risque de blessures pour les utilisateurs en cas de contact avec la peau ou les yeux.

Pour assurer un rendement et une longévité maximum de la pompe série 400B, respecter les recommandations suivantes :

NOTICE

Les réservoirs et cuves doivent être mis à l'air pour éviter leur effondrement.

- Serrer fermement sans forcer tous les raccords non métalliques pour éviter les fuites. Le serrage excessif de ces raccords peut endommager la pompe
- Ne pas utiliser la pompe pour soutenir physiquement la tuyauterie
- S'assurer que les éléments du système sont correctement soutenus pour éviter les contraintes sur les pièces de la pompe. En règle générale et à moins de faire partie intégrante de la pompe, les raccords d'aspiration et de refoulement doivent être flexibles pour éviter d'endommager le corps de pompe. S'assurer que tous les matériaux de raccordement sont compatibles avec la substance transférée à travers la pompe elle-même

Pratiques exemplaires d'installation (côté aspiration de la pompe)

- Tous les flexibles d'aspiration doivent être renforcés pour éviter leur effondrement sous la pression du système
- En cas de présence possible de solides ou de débris dans le liquide, un tamis de maille 10 (0,07 po) ou moins doit être utilisé soit à l'extrémité du tuyau d'aspiration, soit à l'admission du côté aspiration de la pompe. Les particules de plus de 2,5 mm (0,1 po) peuvent nuire au fonctionnement de la pompe
- Tous les flexibles ou tuyaux d'aspiration doivent avoir un diamètre de 1 po. Une conduite de diamètre supérieur peut être utilisée dès lors qu'elle se termine par un diamètre de 1 po à l'entrée d'aspiration de la pompe
- L'extrémité du tuyau d'aspiration doit être placée à 5 cm (2 po) du fond pour éviter la contamination par des particules sauf si un tamis en ligne de maille 10 est utilisé comme indiqué
- La hauteur maximale d'aspiration est de 2,7 m (9 pi) pour l'eau au niveau de la mer à 21 °C (70 °F). La hauteur d'aspiration pour chaque utilisation dépend de la façon dont la température et l'altitude influent sur la viscosité (en centipoise, cP) du liquide considéré

Pratiques exemplaires d'installation (côté refoulement de la pompe)

- Tous les flexibles de refoulement doivent avoir un diamètre d'au moins 1 po. Une conduite de diamètre supérieur peut être utilisée dès lors qu'elle se termine par un diamètre de 1 po à la sortie de refoulement de la pompe
- Il est possible d'utiliser des flexibles de plus de 6 m (20 pi), toutefois cela peut produire une baisse du débit de sortie à l'extrémité du tuyau ou de la buse. Le débit dépend la viscosité du liquide, qui varie en fonction de la température et de l'altitude
- Toujours utiliser des flexibles et accessoires compatibles avec le produit à transférer. Pour les flexibles, en règle générale, Sotera recommande l'EPDM pour les produits chimiques agricoles et le nitrile ou le Buna-N pour les huiles et lubrifiants à base de pétrole

⚠ DANGER

Vérifier que l'interrupteur d'alimentation est en position ARRÊT avant de raccorder les pinces de batterie ou les câbles d'alimentation à la source d'alimentation afin d'éviter un démarrage intempestif du moteur. Un démarrage inattendu du moteur peut provoquer une décharge imprévue de liquide, ce qui présente un danger d'explosion, d'incendie et de déversement de produit chimique.

⚠ AVERTISSEMENT

Ne jamais débrancher le câble d'alimentation alors que la pompe est en marche. Toujours mettre la pompe à l'arrêt AVANT de débrancher les pinces de batterie 12 Vcc ou la fiche 110 Vca de la source d'alimentation. Des étincelles ou un court-circuit peuvent se produire si elle n'est pas débranchée correctement.

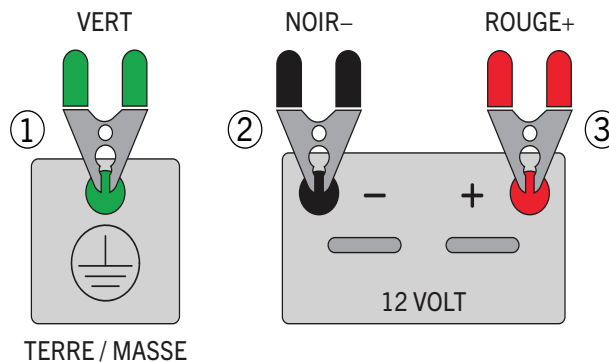
La pose du câblage électrique doit être effectuée UNIQUEMENT par un électricien qualifié en conformité avec les codes de l'électricité en vigueur (NEC/ANISI/NFPA 30, NFPA 30, 30A et 70) comme il se doit pour l'utilisation prévue de la pompe.

Alimentation à courant continu

NOTICE

Divers modèles de la série 400B sont à courant continu (c.c.) et équipés d'un moteur antidéflagrant ou non antidéflagrant fonctionnant sous 12 Vcc ou 24 Vcc. Ces modèles peuvent avoir ou non été fournis avec des câbles pour raccordement à une borne positive ou négative de batterie. Pour les circuits de 12 Vcc, un fusible de 30 A (ou un fusible de 20 A pour les moteurs de 24 Vcc) doit être installé sur le câble de batterie pour protéger le système électrique en cas de court-circuit. Ce fusible doit être placé sur le câble positif.

- Tuthill recommande vivement d'effectuer la mise à la terre de la pompe et du moteur à avant toute utilisation
- La mise à la masse électrique sur un châssis de véhicule ou l'utilisation d'un circuit de mise à la terre pour les installations fixes sont les méthodes préférentielles de mise à la terre. Toujours consulter un électricien agréé concernant l'installation particulière
- Contrôler tous les câbles d'alimentation et de mise à la terre avant chaque utilisation. Les changer si la gaine extérieure a été enlevée et que des conducteurs sont exposés
- Pour les moteurs 12 Vcc non antidéflagrants, le câble d'alimentation est équipé de pinces de batterie rouge (+) et noire (-); le conducteur de mise à la terre n'est pas inclus
- En général, les moteurs 12 Vcc antidéflagrants ne sont pas fournis avec un conducteur de mise à la terre, un câble d'alimentation ou des pinces de batterie. Voir les composants particuliers inclus aux pages 14 et 15
- NE PAS raccorder ensuite le conducteur de mise à la terre à la borne négative de la source de courant continu



Effectuer les raccordements suivants conformément au schéma ci-dessus :

1. Mise à la terre (pince verte ou œillet)
2. Borne négative (pince noire)
3. Borne d'alimentation (pince rouge)

Alimentation à courant continu (suite)

- Tous les modèles 12 Vcc non antidéflagrants sont équipés d'un câble d'alimentation. Les modèles de 12 Vcc ont un porte-fusible et un fusible de 30 A
- Les modèles antidéflagrants de 12 Vcc et 24 Vcc ne sont pas équipés d'un cordon d'alimentation, mais peuvent comprendre un câble d'alimentation séparé, en fonction de la configuration du modèle



Toutes les pompes c.a. fonctionneront sous la tension nominale indiquée sur la plaque signalétique.

L'alimentation CA doit être fournie à la pompe par un circuit dédié équipé d'une protection de circuit de 15 A. Aucun autre appareil ne doit être alimenté par ce circuit électrique.

Le câblage doit être de section suffisante pour transporter le courant nécessaire à la pompe.

La chute de tension dépend de la distance à la pompe et de la section du câble. Voir les compensations de chute de tension dans le NEC (National Electric Code) ou dans les codes locaux et vérifier que le câble utilisé est de section correcte pour l'application. Les conducteurs de calibre insuffisants peuvent surchauffer et provoquer un incendie.

S'assurer d'une bonne mise à la terre pour éviter les risques d'électrocution.

Les modèles de pompes série 400B à moteur antidéflagrant sont compatibles avec les zones de Classe 1, Division 1. Il est fortement recommandé de confier toutes les réparations à un distributeur autorisé afin d'éviter d'invalider la garantie. Il est important de préserver l'intégrité antidéflagrante des composants du moteur et du système.

La pose du câblage électrique doit être effectuée **UNIQUEMENT** par un électricien qualifié en conformité avec les codes de l'électricité en vigueur (NEC/ANSI/NFPA 70, NFPA 30 et NFPA 30A) comme il se doit en fonction de l'utilisation prévue de la pompe.



La chute de tension à travers le câblage dépend de la distance entre la source d'alimentation et la pompe et du calibre de conducteur utilisé. Tuthill recommande de consulter les codes de l'électricité en vigueur pour vérifier que le calibre de conducteur utilisé convient pour l'installation considérée. La table ci-dessous est fournie à titre indicatif et ne vise pas remplacer pas les codes de l'électricité :

Distance linéaire maximale mètre (pi) d'un conducteur monobrin et multibrin en cuivre en fonction du calibre								
	AWG	16	14	12	10	8	6	4
Conducteur	Monobrin	11,9 (39)	18,9 (62)	30,2 (99)	48,2 (158)	76,2 (250)		
	Multibrin	11,6 (38)	18,6 (61)	29,3 (96)	46,9 (154)	74,7 (245)	118,6 (389)	189,0 (620)

Catégories de tension c.a. disponibles

- Moteur 115 Vca, 60 Hz, 2,5 A, 185 W (1/4 HP), non antidéflagrant de série
- Moteur 115 Vca, 60 Hz, 2,5 A, 185 W (1/4 HP), homologué uL antidéflagrant
- Tous les modèles 110 Vca non antidéflagrants sont équipés d'un câble d'alimentation. Ces modèles comportent une fiche 15 A de type B (3 broches) avec mise à la terre compatible avec les prises de type B
- Les modèles antidéflagrants de 110 Vca ne sont pas équipés d'un cordon d'alimentation, mais peuvent comprendre un câble d'alimentation séparé, en fonction de la configuration du modèle, comme décrit aux pages 14 et 15

Meilleures pratiques d'utilisation

L'entretien régulier est essentiel au maintien du rendement et à la durabilité de la pompe série 400B.

- Toujours mettre la pompe de transfert à l'arrêt et la débrancher de la source d'alimentation avant toute intervention
- Toujours purger la pompe complètement avant tout entretien ou démontage. Tuthill recommande d'utiliser de l'eau pour rincer les produits chimiques agricoles et industriels. Pour les produits à base de pétrole tels que les huiles et les lubrifiants, il est acceptable de rincer avec du carburant diesel
- **NE PAS METTRE LE LIQUIDE DE RINÇAGE SOUS PRESSION.**
Cela endommagerait la pompe. Immerger le tube d'aspiration ou le raccord d'entrée dans le liquide de rinçage, puis faire fonctionner la pompe normalement pendant 15 à 30 secondes environ ou jusqu'à ce que le liquide de rinçage reprenne sa couleur initiale. Laisser la pompe sécher à l'air avant toute intervention
- **NE PAS IMMERGER LA POMPE ENTIÈRE OU LE MOTEUR ÉLECTRIQUE DANS LE LIQUIDE DE RINÇAGE, UNIQUEMENT LE TUBE D'ASPIRATION OU LE RACCORD D'ENTRÉE**
- Ne pas laisser de substances chimiques, de lubrifiants ou d'huiles dans la cavité interne de la pompe pendant une durée prolongée. Cela peut entraîner une cristallisation ou un gommage pouvant nuire au fonctionnement de la pompe
- Sotera conseille vivement de rincer la pompe après chaque utilisation pour éviter le « dessèchement » et la contamination entre les transferts de liquide
- La cavité interne de la pompe est remplie d'huile SAE 30W à l'usine afin de lubrifier le mécanisme interne d'entraînement à engrenages et l'étrier. Certaines réparations de la pompe nécessitent de vidanger ce liquide. S'il y a lieu, retirer l'un des capuchons de jauge visuelle sur l'extérieur du corps de pompe et vidanger l'huile par cet orifice. Remplir avec de l'huile SAE 30W fraîche par le même orifice une fois les réparations effectuées. Tuthill recommande de verser 47 cl (16 oz) d'huile dans la cavité ou jusqu'à mi-hauteur de la jauge visuelle

Calendrier d'entretien courant

1. Toujours vérifier le niveau d'huile à l'aide de la jauge visuelle avant tout transfert de liquide. Le niveau d'huile idéal doit être sur le repère du milieu ou à mi-hauteur des deux jauges. Ajouter de l'huile SAE 30W comme il se doit pour maintenir le niveau nécessaire
2. Vérifier que toutes les vis à tête Torx(r) extérieures sont bien serrées. Si des vis semblent desserrées, les serrer à un couple de 8,5 Nm (75 po-lb)
3. Vérifier le bon serrage de toutes les vis à tête hexagonale de la bride du moteur. Si des vis semblent desserrées, les serrer à un couple de 5,6 Nm (50 po-lb)
4. Chaque année ou après 500 heures d'utilisation, vidanger l'huile SAE 30W existante par un orifice de jauge visuelle et la remplacer par environ 47 cl (16 oz) de la même huile

Dépose et remplacement de composants individuels de la pompe (voir la vue éclatée de la pompe, page 13)

AVERTISSEMENT

NE PAS DÉMONTÉ LE RÉDUCTEUR EXTERNE. Les engrenages satellites et la couronne planétaires sont marqués pour permettre un remontage correct et ne doivent pas être modifiés.

Ne jamais démonter l'étrier. Il est sous très haute pression et peut provoquer des blessures.

ATTENTION

Faire preuve de précaution lors de la dépose de l'ensemble membrane et clapets antiretour pour éviter les dommages au corps de pompe. NE PAS insérer d'outils aiguisés ou métalliques pour décoller de force l'ensemble membrane et clapets du corps de pompe. Les rayures ou autres dommages au corps de pompe peuvent provoquer des fuites.

NOTICE

Ne pas tenter de changer des pièces individuelles. Changer l'ensemble complet s'il y a lieu (trousse 400F6557).

Remplacement des membranes

L'entretien des ensembles de membrane et clapets antiretour peut se faire sans vidanger l'huile de la cavité intérieure du corps de pompe. Il est important de ne démonter qu'une (1) seul ensemble à la fois. Éviter toute contamination potentielle de l'huile dans la cavité interne de la pompe durant cette opération.

Procédure

1. Poser la pompe sur le côté avec la membrane à réparer vers le haut et la membre opposée vers le bas
2. Retirer les huit (8) vis du couvercle de membrane. Cela nécessite un embout Torx T30
3. Retirer le couvercle et le retourner pour exposer la face intérieure afin d'éviter toute contamination. Le couvercle comporte un joint d'étanchéité. Il est vivement conseillé de changer ce joint lors de cette réparation
4. Retirer les quatre (4) vis de retenue à l'aide d'un tournevis Phillips n° 2. Ces vis comportent un joint torique. Il est conseillé de changer à la fois les vis et le joint torique lors de cette réparation
5. Pour extraire le système de membrane, le tirer par les quatre coins de la membrane elle-même en prenant soin de ne pas déchirer ni recourber la membrane. S'il y a lieu, il est acceptable de tirer sur les clapets antiretour. Ne pas utiliser d'outils pour détacher de force la membrane du corps de pompe car cela pourrait endommager la surface de la pompe. Veiller à bien conserver les quatre (4) billes de clapet antiretour qui se trouvent dans la cavité de la pompe. Elles peuvent être retirées avec la membrane
6. Poser la membrane neuve suivant la même orientation que celle qui a été retirée. Il est important que les billes de clapet soient dans leur siège avant de mettre la membrane en place
7. Insérer les quatre (4) vis à tête Phillips et les serrer à un couple de 4 Nm (35 po-lb)
8. Poser le couvercle de membrane avec le joint d'étanchéité en place. Il est important d'amorcer toutes les vis externes à la main avant de les visser à un couple de 8,5 Nm (75 po-lb)

Dépose du moteur avec le réducteur

1. Poser la pompe avec les capuchons de jauge visuelle vers le bas
2. Retirer les quatre (4) vis de fixation de cet ensemble et le soulever vers le haut
3. Le remplacer par l'ensemble moteur et réducteur fourni par Sotera

Dépose du réducteur

1. Déposer le moteur comme indiqué ci-dessus
2. Retirer les six (6) vis et la clavette qui maintiennent le réducteur sur l'arbre du moteur
3. Le remplacer par un réducteur neuf et l'attacher avec des vis et une clavette neuves

Composants mécaniques internes (ensemble plaque d'appui, étrier et arbre d'entraînement)

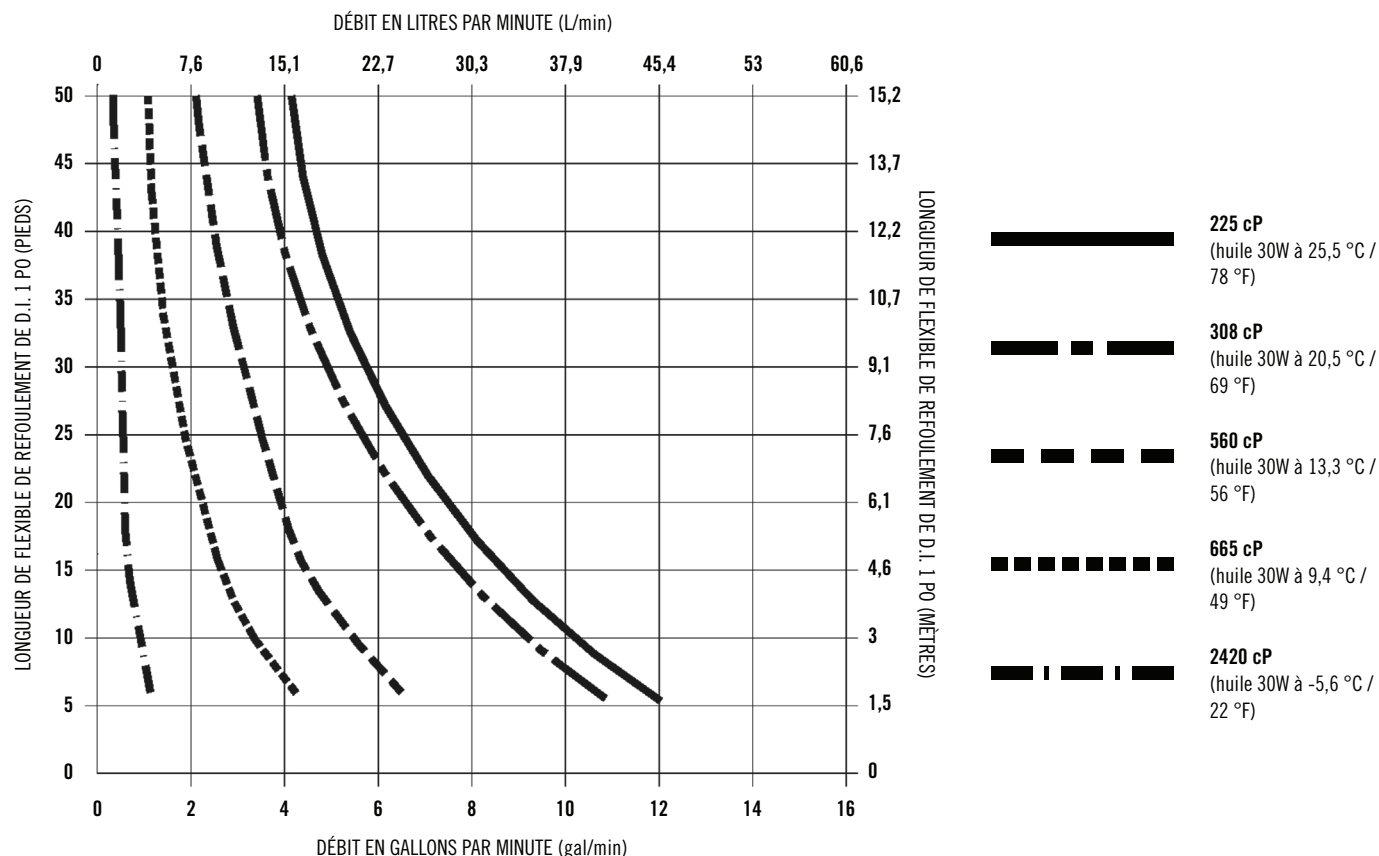
1. Déposer le moteur et le réducteur du corps de pompe
2. Vidanger l'huile de la cavité intérieure par cette ouverture
3. Retirer les quatre (4) vis de fixation de la plaque d'appui
4. Retirer la plaque d'appui, ce qui permet également de retirer la plaque de poussée
5. Retirer l'arbre d'entraînement, le roulement, la bague de roulement et l'étrier.

NOTICE

L'étrier est sous la pression de deux ressorts. Ne pas tenter de le réparer, le remplacer uniquement par des pièces autorisées par le fabricant.

6. Remonter dans l'ordre inverse

Table de correction de viscosité



REMARQUES :

- PERTES D'ASPIRATION :** Une pompe d'essai a été montée sur un fût de 208 l (55 gallons) à moitié rempli d'huile. Un tuyau d'aspiration Sotera de 1 po a été utilisé. Un tuyau d'entrée plus long ou de plus petit diamètre réduit le débit.
- PERTE DE HAUTEUR D'ÉLEVATION :** Le flexible d'essai était au même niveau que la pompe. Ajouter 3 m de flexible pour chaque mètre d'élévation verticale (3 pieds par pied).
- AUTRES PERTES :** Les coudes, raccords rapides, pivots et clapets antiretour dans les flexibles de sortie et d'entrée ont pour effet de restreindre le débit. Ajouter la longueur estimée de flexible pour chaque composant utilisé.

Liquides compatibles selon la membrane (typiques)

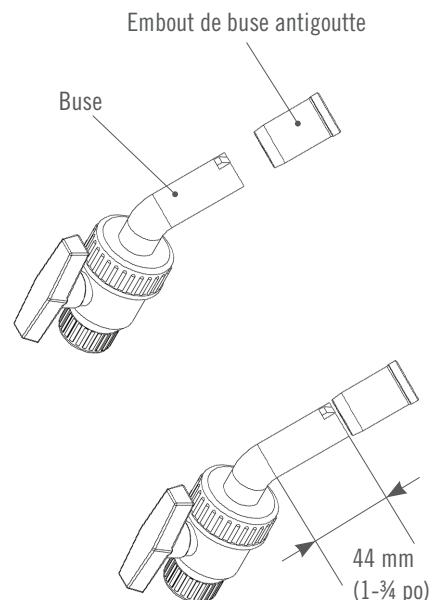
HYTREL (PRODUITS PÉTROLIERS)		SANTOPRENE (PRODUITS CHIMIQUES)	
• Huile pour engrenages [GL-1 à GL-5]	• Huile moteur	• Huile adjuvante	• Pesticides
• Liquide hydraulique [HL, HM, HR]	• Graisses 000	• Détergents	• Savons
		• Engrais liquides [UAN 28-32]	• Eau
		• Acides faibles	

Trousse embout de buse antigoutte 400KTF0237

S'utilise avec les buses Norwesco et autres de diamètre extérieur de 30 mm (1-3/16 po).

Installation

1. S'il y a un cran en plastique en saillie sur la buse, l'éliminer avec précaution à la lime avant de poser l'embout antigoutte
2. Appliquer de l'eau savonneuse sur l'extrémité pour faciliter la pose. Placer l'embout antigoutte sur la buse comme sur l'illustration à droite. Tapoter l'embout avec un maillet en caoutchouc pour l'engager complètement. L'espace entre l'extrémité de l'embout et le coude dans la buse doit être d'un peu plus de 44 mm (1-3/4 po) lorsqu'il est complètement enfoncé

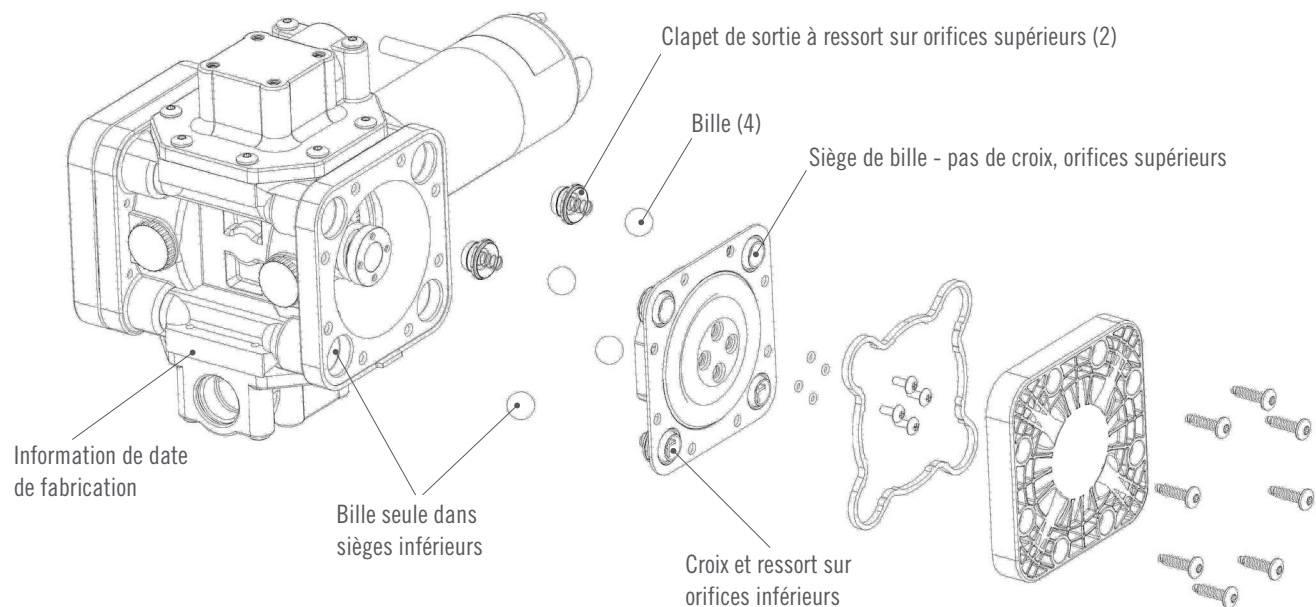


Utilisation correcte

Placer la buse dans le récipient à remplir **AVANT** de mettre la pompe en marche.

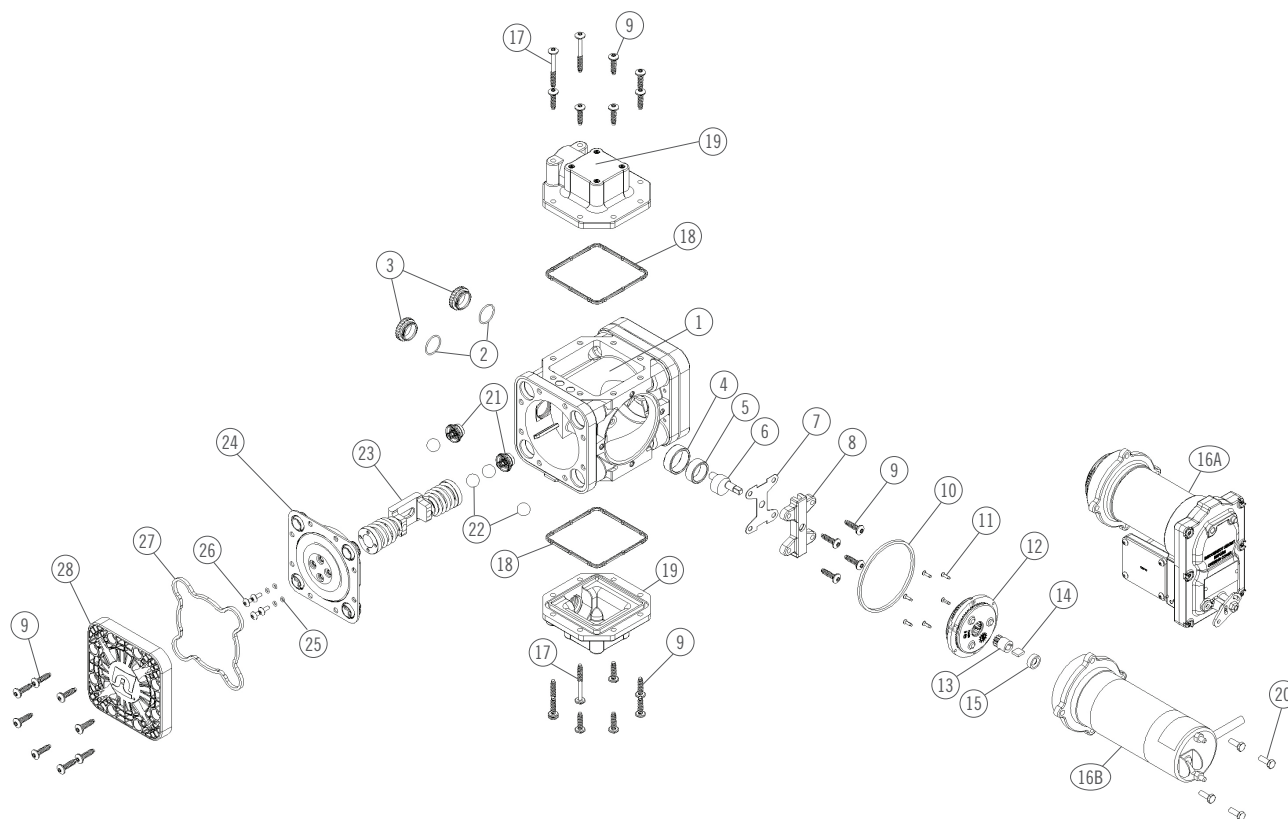
Après le pompage, fermer le robinet, puis secouer délicatement la buse **AVANT** de la sortir du récipient. L'embout s'ouvre lorsqu'il détecte une pression supérieure à 0,07 bar (1 psi). La restriction de débit est minimale.

Détail d'orientation de la membrane et des clapets antiretour



Guide de dépannage

SYMPTÔME	CAUSE POSSIBLE	SOLUTION
La pompe ne s'amorce pas	Problème de conduite d'aspiration	Vérifier l'étanchéité de la conduite d'aspiration
	Fuite de clapets antiretour	Voir si les clapets antiretour sont encrassés ou endommagés et les remplacer
	Clapets antiretour mal installés	Vérifier la bonne installation
	Sortie bouchée	Voir s'il y a une obstruction et la dégager
	Le moteur ne fonctionne pas	Contrôler la source d'alimentation
	Engrenages arrachés ou endommagés	Réparer ou changer le moteur. Contrôler l'état des engrenages et du pignon d'entraînement. Remplacer l'ensemble complet le cas échéant
La pompe ronfle mais ne tourne pas	Moteur défectueux	Remplacer le moteur.
	Mécanisme à engrenages bloqué	Vérifier que les engrenages tournent librement
Faible capacité de la pompe	Tension insuffisante	Contrôler la source d'alimentation
	Fuite de la conduite d'aspiration	Réparer les fuites
	Saleté dans le clapet antiretour	Démonter et nettoyer
	Clapets antiretour défectueux	Installer la trousse de réparation
	Débris aspirés	Ajouter le tamis d'entrée
Le moteur surchauffe	Pompage de liquides chauds	Raccourcir le cycle d'exploitation
	Moteur défectueux	Remplacer le moteur
Fuite de liquide	Joints défectueux ou manquants	Poser tous les joints indiqués dans la liste des pièces
	Vis desserrées	Serrer toutes les vis à tête Torx de 1/4 po à un couple de 8,6 Nm (76 po-lb)
	Pièce fissurée	Serrer les vis 1/4-20 à tête hexagonale du moteur à un couple de 5,6 Nm (50 po-lb). Remplacer l'élément défectueux



LISTE DES PIÈCES

REPÈRE	DESCRIPTION	QTÉ	REPÈRE	DESCRIPTION	QTÉ
1	Corps de pompe	1	15	Joint à lèvres d'arbre moteur 400	1
2	Joint torique en nitrile, -022	2	16A, 16B	Ensemble moteur (voir les caractéristiques de moteurs dans la table ci-dessous)	1
3	Capuchon de jauge visuelle	2	17	Vis, 1/4 - 10 x 2,25 PTS-SS	4
4	Bague de roulement	1	18	Joint de bride - EPDM	2
5	Douille, D.E. 1,250 x D.I. 1,00	1	19	Bride à 90° avec inserts	2
6	Arbre d'entraînement	1	20	Vis, 1/4 - 20 x 0,750 LG	4
7	Plaque de poussée	1	21	Clapet antiretour de sortie	4
8	Plaque d'appui	1	22	Bille	8
9	Vis, 1/4 - 10 x 1,00 PTS-SS	32	23	Ensemble étrier	1
10	Joint torique, nitrile usiné au tour	1	24	Ensemble membrane	2
11	Vis 6-32 tête plate trilobée	6	25	Joint torique, EPDM, -007	8
12	Réducteur à engrenages	1	26	Vis PHM, 10 - 24 x 0,5 LG	8
13	Pignon d'entraînement	1	27	Joint de couvercle de membrane - EPDM	2
14	Clavette, rotor	1	28	Couvercles de membrane	2
REPÈRE	MOTEURS HOMOLOGUÉS UL / CERTIFIÉS CE	QTÉ	REPÈRE	MOTEURS POUR SERVICE NORMAL	QTÉ
16A	12 Vcc conformité CE antidéflagrant	1	16B	12 Vcc	1
16A	12 Vcc homologué UL antidéflagrant	1	16B	115 Vca	1
16A	24 Vcc homologué UL antidéflagrant	1			
16A	115 Vca homologué UL antidéflagrant	1			

Information sur les modèles série 400B

UTILISATIONS AVEC DES LIQUIDES LUBRIFIANTS ¹					
NUMÉRO DE MODÈLE	TENSION	CONFIGURATION D'ENTRÉE ²	ENTRÉE D'ASPIRATION EN ACIER	ACCESSOIRES	
				REFOULEMENT	
				BUSE MANUELLE 1 po	FLEXIBLE ³
MEMBRANE EN HYTREL/NBR					
FR205B	24 Vcc UL ANTIDÉF	AA	Pas d'accessoire		
FR205BX054		BB	Pas d'accessoire		
FR210B		AA	X	X	3,7 m (12 pi)
FR405BEXPX054	12 Vcc UL ANTIDÉF	BB	Pas d'accessoire		
FR410B	12 Vcc	AA	X	X	3,7 m (12 pi)
FR410BEXP	12 Vcc UL ANTIDÉF		X	X	3,7 m (12 pi)
FR450B	115 Vca		X	X	3,7 m (12 pi)

CONFIGURATIONS D'ACCESSOIRES PAR MODÈLE ⁴									
MODÈLE	VERSION	ACCOUPLLEMENT CAMLOCK FEMELLE	MAMELON COURT POLYMÈRE DE 1 po	DOUILLE DE RÉDUCTION POLYMÈRE 2 po À 1 po	ROBINET 1 po ET BUSE	RACCORDS CANNELÉS ET COLLIERS DE SERRAGE	COMPTEUR NUMÉRIQUE		CADRE
							825	850	
Pump-N-Go	A	2 po	-	X	X	X	-	-	-
Chemtraveller®	A	1 po	X	-	X	X	X	-	Court
	B	2 po	X	X	X	X	-	X	Court
	C	2 po	X	X	X	X	-	-	Court
	D	1 po	X	-	X	X	X	-	Haut
	E	-	-	-	-	X	X	-	-
Mix-N-Go	A	-	-	-	X	X	X	-	-

¹Toujours consulter le guide de résistance chimique Sotera (Chemical Resistance Guide) (Sotera.com). ²Pour plus de détails, consulter la fiche technique Sotera, table Suction, colonne Configuration d'entrée. ³Non-UL avec flexible de carburant à fil antistatique. ⁴Pour toute information sur un modèle série 400B particulier, consulter la fiche technique Sotera, colonne Version

Information sur les modèles série 400B (suite)

PRODUITS CHIMIQUES : AGRICOLES ET INDUSTRIELS ¹								
		ACCESSOIRES						
		ENTRÉE D'ASPIRATION	REFOULEMENT					
MEMBRANE EN SANTOPRENE / EDPM								
NUMÉRO DE MODÈLE	TENSION	ENTRÉE	POLY ²	FLEXIBLE ³	ANTIGOUTTE POLY	FLEXIBLE ³	SPÉCIAL	VERSION ⁴
SS411BCEXP	12 Vcc CE ANTIDÉF	FF	Pas d'accessoire					-
SS413BCEXPPG		EE	-	1 m (39 po)	X	3,7 m (12 pi)	Pump-N-Go	A
SS415B	12 Vcc	AA	Pas d'accessoire					
SS415BX670		EE						
SS415BEXPX670	12 Vcc UL ANTIDÉF	EE						
SS415BX731	12 Vcc AVEC SUPPORT	AA						
SS415BX731PG		AA	X	1 m (39 po)	X	3,7 m (12 pi)	Pump-N-Go	A
SS417B	12 Vcc	DD	X	-	X		Comprend robinet à tournant sphérique de 1 po, raccords cannelés et colliers de serrage	-
SS419BX665		CC	X	-	X		Accouplement Monsanto, support pour pompe	-
SS420B		AA	X	-	X		Suspente de buse sur pompe	-
SS425B		-	1 m (39 po)	X	Support pour IBC avec raccords		-	
SS435B		-	2,7 m (9 pi)	X	Chemtraveller		A	
SS435BCEXP		12 Vcc CE ANTIDÉF	EE	-	2,7 m (9 pi)		X	Chemtraveller
SS435BX675	12 Vcc	EE	-	2,7 m (9 pi)	X		Chemtraveller (tout EPDM)	A
SS435BX700		-	2,7 m (9 pi)	X	Chemtraveller		C	
SS435BX713		-	2,7 m (9 pi)	X				
SS435BEXPX703	12 Vcc UL ANTIDÉF	EE	-	2,7 m (9 pi)	X			
SS445B	12 Vcc	9 po GEMCAP	X	-	X		Mix-N-Go avec recirculation et clapet antiretour	A
SS445BX700			X	-	X		Mix-N-Go avec recirculation et clapet antiretour (tout EPDM)	A
SS445BX727			X	-	X		Mix-N-Go avec recirculation et clapet antiretour	A
SS460B	115 Vca	AA	X	-	X	Suspente de buse sur pompe, buse à robinet à tournant sphérique 1 po, raccords cannelés et colliers de serrage		
SS460BX674		EE	X	-	X			
SS460BX731	115 Vca AVEC SUPPORT	CC	X	-	X	Pump-N-Go	-	
SS460BX731PG		CC	X	-	X	Chemtraveller	D	
SS465BEXP	115 Vca UL ANTIDÉF	EE	-	2,7 m (9 pi)	X	Chemtraveller	E	
SS465BX713	115 Vca	EE	-	2,7 m (9 pi)	X	Support pour IBC avec raccords	-	
SS470B		EE	-	1 m (39 po)	X			

¹Toujours consulter le guide de résistance chimique Sotera (Chemical Resistance Guide) (Sotera.com), ²Tuyau d'aspiration télescopique polymère (58 à 102 cm / 23 à 40 po), ³Flexible EPDM, ⁴Voir page 14, table Configurations d'accessoires

Information sur la conformité réglementaire



Les pompes série « 400B CE » sont conformes à la directive européenne 2006/42/CE (Directive Machines)

Les normes suivantes ont été utilisées pour vérifier la conformité :

EN 809:1998 +A:2009 – Pompes et unités de pompes pour liquides – exigences communes en matière de sécurité

EN ISO 12100:2010 – Sécurité des machines – principes généraux de conception

Directive 2014/30/UE – Compatibilité électromagnétique

EN 61000-6-4:2007 / +A1:2011 – Norme générique pour les environnements industriels

Directive 2011/65/UE – Limitation de l'utilisation de certaines substances dangereuses dans les équipements électriques et électroniques



Certains modèles de pompes série 400 comportent des moteurs électriques homologués UL/ULC. Voir le modèle dans les tables MODÈLES / ACCESSOIRES / INFORMATIONS SUR LA CONFIGURATION (pages 14 et 15) pour déterminer comment une pompe particulière est équipée.

SOTERA®

Fill-Rite Company

8825 Aviation Dr, Fort Wayne, IN 46809 USA

P (800) 720-5192 | (260) 747-7524

F (800) 866-4861

fillrite.com | soteracom | gormanrupp.com

SOTERA[®]

BOMBAS DE DIAFRAGMA ELÉCTRICAS DE LA SERIE 400B

Manual de operación del propietario



MADE IN 
USA
WITH GLOBAL MATERIALS


GORMAN-RUPP
COMPANY

Contenido

Política de garantía limitada 3

Definiciones básicas..... 3

Acerca de este manual 4

Símbolos y definiciones 4

Información de seguridad general 5

Mejores prácticas de instalación 5

Instalación eléctrica 6

Mejores prácticas operativas..... 8

Mantenimiento de rutina anual..... 8

Retiro y reemplazo del componente de bomba individual 8

Conjunto de diafragma/motor/engranaje 9

Tabla de corrección de viscosidad10

Kit de tubo de boquilla antigoteo11

Detalle de orientación de la válvula de retención y el diafragma11

Guía de solución de problemas12

Lista de piezas13

Información de modelo14

Información de cumplimiento normativo16

¡Gracias!

Gracias por su lealtad con la marca Sotera® de bombas de transferencia de productos químicos, lubricantes e hidrocarburos mixtos. Su seguridad es importante, por eso lea y entienda completamente los procedimientos expuestos en este manual. Protéjase y proteja a quienes lo rodean y acate todas las instrucciones de seguridad y respete todos los símbolos de peligro, advertencia y precaución. Guarde estas instrucciones para futura referencia y registre el modelo, número de serie y fecha de compra de su bomba de transferencia Sotera. Registre su producto Sotera en info.fillrite.com/sotera_product_registration

POLÍTICA DE DEVOLUCIÓN IMPORTANTE

Por favor, no devuelva este producto a la tienda. Para toda la garantía y preguntas sobre el producto, comuníquese con el Soporte técnico al 1 (800) 720-5192 o por correo electrónico a SoteraTech@fillrite.com (L-V, 8 AM - 5 PM ET).

N.º DE MODELO	
N.º DE SERIE	
FECHA DE COMPRA:	



Política de garantía limitada

DESDE LA FECHA DE VENTA	SERIE DEL PRODUCTO	
Cinco (5) años	Solo bombas serie 400 (todos los modelos) No se incluye el motor ni los medidores	
Dos (2) años	Medidores 820, 825 y 850	
Un (1) año	Todos los motores, sin importar la clase de voltaje (a prueba de explosiones, no a prueba de explosiones, 12 V CC, 24 V CC y 115 V CA)	Accesorios, definidos como conectores, mangueras, destorcedores, filtros que se compren dentro del paquete de bomba 400B o por separado para usar con la bomba 400B o los medidores 820, 825 o 850

Definiciones básicas

Chemtraveller®: Un bastidor compacto de perfil bajo para permitir la movilidad de la bomba sin la necesidad de manipular la bomba en sí.

Diafragma: Una membrana flexible fabricada de goma sintética que se usa para desplazar el líquido a través de la cavidad de la bomba.

Montaje de contenedor IBC: Un soporte de acero inoxidable que se puede montar en la jaula de un contenedor IBC o tanque de transferencia de cualquier tamaño.

Mix-n-Go: Un sistema de recirculación diseñado para caber en la tapa GEM del contenedor IBC de 9 pulg. Las unidades con este dispositivo tienen una válvula de recirculación integrada en la bomba.

Poise (P): Una unidad de medida de la viscosidad dinámica. Para fines de este manual, Sotera utilizará la medición de Centipoises (cP), que es un centésimo de un Poise o un milipascal-segundo (mPa-s).

Desplazamiento positivo: Volumen constante a una velocidad fija, independiente de la presión del sistema.

Pump-n-Go: Movilidad de la bomba autónoma. Los sistemas con esta designación no tienen bastidores de montaje.

Recirculación: El proceso de mezclar líquidos en la bomba sin descargarlos del contenedor.

Altura de succión: La distancia bajo la línea central de la bomba para elevar líquidos.




Viscosidad (V): La medición del flujo o la resistencia del líquido.

Piezas húmedas: Todas las piezas que toca el líquido transferido, ya sea en parte o a través de inmersión.

Acerca de este manual

Desde el concepto y el diseño inicial hasta la producción final, su producto Sotera está fabricado para brindarle años de uso sin problemas. Para garantizar su seguridad y la de quienes lo rodean, resulta crucial que lea este manual en su totalidad antes de intentar instalar u operar su nuevo producto. Instamos encarecidamente a que cualquier instalador u operador se familiarice con los términos, diagramas y datos técnicos en este manual y que preste especial atención a la información de **PELIGRO, ADVERTENCIA, PRECAUCIÓN o IMPORTANTE**. En Sotera, su satisfacción con nuestros productos es primordial. Si tiene preguntas o necesita ayuda con su producto, comuníquese con nosotros al 1 (800) 720-5192 o por correo electrónico a SoteraTech@fillrite.com (de lunes a viernes, de 8 a. m. a 5 p. m., hora del Este).

Símbolos y definiciones

 PELIGRO	Indica una situación peligrosa que, si no se evita, provocará la muerte o lesiones graves.
 ADVERTENCIA	Indica una situación peligrosa que, si no se evita, podría provocar la muerte o lesiones graves.
 PRECAUCIÓN	Indica una situación peligrosa que, si no se evita, podría provocar lesiones moderadas o menores.
IMPORTANTE	Indica información que se considera importante, pero que no está directamente relacionada con peligros.

Descripción general

La unidad de la serie 400B de Sotera es una bomba de diafragma de doble acción, desplazamiento positivo y con autocebado. Cuenta con rangos de flujo de hasta 49 L/min (13 galones por minuto) y está diseñada con piezas húmedas de polipropileno y acero inoxidable, junto con sellos compatibles con la mayoría de los productos químicos agrícolas e industriales, además de lubricantes (por ejemplo, los que se encuentran dentro de la transmisión de energía). Estos materiales húmedos constan de un cuerpo y válvulas de polipropileno, sujetadores de acero inoxidable, resortes de válvula de retención de Hastelloy®, sellos de Buna-N, EPDM y fluorocarburo, junto con diafragmas de Hytrel® y Santoprene®.

Sotera utiliza un sistema de nomenclatura reconocible, donde los números de modelo hacen referencia al material del diafragma. Los modelos que comienzan con 'SS' (por ejemplo, SS415B) contienen diafragmas de Santoprene, mientras que los modelos que comienzan con 'FR' (por ejemplo, FR410B) contienen diafragmas de Hytrel. Santoprene está diseñado para mover productos químicos agrícolas, mientras que Hytrel se usa con aceites y líquidos lubricantes. Recomendamos encarecidamente que consulte la *Guía de resistencia química de Sotera* que se encuentra en sotera.com para determinar los materiales de construcción adecuados para usar con su aplicación.

La bomba de la serie 400B no es compatible con ácidos fuertes (pH de 3,4 o inferior), bases fuertes (pH sobre 12), líquidos inflamables sin diluir con un punto de inflamación bajo los 38 °C (100 °F) o blanqueador (hipoclorito de sodio).

Información de seguridad general

ADVERTENCIA

Las bombas de la serie 400B no están diseñadas para usarlas en aeronaves, en vehículos para carreteras y todoterreno o en embarcaciones marinas.

Esta bomba no es adecuada para su uso con líquidos para consumo humano.

El cableado eléctrico SOLO lo debe realizar un electricista con licencia que cumpla todos los códigos de electricidad locales, estatales y nacionales (NEC/ANSI/NFPA 30, 30 A y 70), según corresponda para el uso que se le dará a la bomba.

Siempre asegúrese de que la bomba esté conectada correctamente a tierra antes de usarla.

La instalación o el uso incorrectos de esta bomba pueden provocar lesiones o la muerte.

Instalación mecánica

ADVERTENCIA

El conjunto de horquilla mecánica está bajo presión extrema. Nunca lo desmonte por ningún motivo.

Siempre fije antes de usar mediante el anclaje a cualquier tanque o barril de mantenimiento para evitar vuelcos en cualquier condición.

PRECAUCIÓN

No use válvulas de retención o de contención adicionales sin consultar con el Servicio Técnico de Sotera. Estas válvulas restringirán el rango de flujo y posiblemente aumentarán la presión del sistema que afectará el rendimiento de la bomba de transferencia.

AVISO

Las juntas de tuberías roscadas y las conexiones se deben sellar con un sellador adecuado que sea compatible con el líquido transferido para minimizar la posibilidad de fugas. Las fugas de cualquier tipo pueden ser perjudiciales para el medio ambiente y causar lesiones a los operadores si entran en contacto con la piel o los ojos.

Para maximizar el rendimiento y la duración de su bomba de la serie 400B, recomendamos las siguientes consideraciones:

AVISO

Los tanques y recipientes se deben ventilar para evitar colapsos.

- Apriete todos los conectores no metálicos con un ajuste perfecto para evitar fugas. Podrían ocurrir daños a la bomba si estos conectores se aprietan en exceso
- No use la bomba como soporte estructural del sistema de tuberías

- Asegúrese de que los componentes del sistema tengan el soporte adecuado para evitar la tensión en las piezas de la bomba. Como regla, y a menos que esté específicamente en el diseño de la bomba, las conexiones de succión y descarga deberían ser flexibles para evitar los daños en el cuerpo de la bomba. Asegúrese de que cualquier material de conexión sea compatible con la sustancia que se transfiera a través de la bomba

Mejores prácticas de instalación (Lado de succión de la bomba)

- Todas las mangueras de succión deben estar reforzadas para evitar el colapso por la presión del sistema
- Si hay una posibilidad de que haya sólidos o residuos dentro del líquido, como mínimo se debe usar una rejilla de malla 10 (0,07 pulg.) o menor, ya sea al final de la tubería de succión o en la entrada del lado de succión de la bomba. Las partículas más grandes que 2,5 mm (0,1 pulg.) afectarán adversamente el rendimiento de la bomba
- Todas las mangueras o tuberías de succión deben tener 1 pulg. de diámetro. Los tamaños más grandes se pueden usar siempre que terminen en un diámetro de 1 pulg. en la entrada de succión de la bomba
- La tubería de succión debería terminar a 51 mm (2 pulg.) de la parte inferior para evitar la contaminación con partículas, a menos que se use una rejilla de malla 10, según se indica
- La capacidad de levante máxima de succión es de 2,7 m (9 pies) para agua a nivel del mar a 21 °C (70 °F). La altura de succión para cada aplicación dependerá de los centipoise (cP) del líquido en particular, según se vea afectado por la temperatura y la elevación

Mejores prácticas de instalación (Lado de descarga de la bomba)

- Todas las mangueras de descarga deberían tener un diámetro mínimo de 1 pulg. Los tamaños más grandes se pueden usar siempre que terminen en un diámetro de 1 pulg. en la salida de descarga de la bomba
- Se pueden usar mangueras mayores que 6 m (20 pies), sin embargo, se debería esperar un flujo de salida reducido en el extremo de la manguera o boquilla. El flujo depende de los cP del líquido según se vea afectado por la temperatura y la elevación
- Siempre use mangueras y accesorios que sean compatibles con el producto que se transfiera. Para las mangueras, como práctica general, Sotera recomienda EPDM para productos químicos agrícolas y nitrilo o Buna-N para aceites y lubricantes a base de petróleo

Instalación eléctrica

PELIGRO

Asegúrese de que el interruptor de encendido esté **APAGADO** antes de conectar los cables de alimentación / abrazaderas para batería a la fuente de energía, para evitar arranques inesperados del motor. Un arranque inesperado del motor puede provocar la descarga accidental de líquido y generar peligros de derrames de productos químicos, incendios y explosiones.

ADVERTENCIA

Nunca desconecte el cable de alimentación mientras la bomba esté encendida. Siempre apague la bomba **ANTES** de desconectar las abrazaderas para batería DE 12 V CC o el enchufe de la fuente de energía de 110 V CA. Se pueden producir chispas eléctricas o cortocircuitos si no se desconecta adecuadamente.

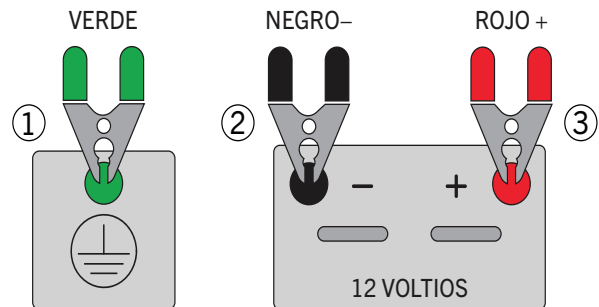
La instalación del cableado eléctrico **SOLO** la debe realizar un electricista con licencia que cumpla todos los códigos de electricidad locales, estatales y nacionales (NEC/ANSI/NFPA 30, 30A y 70), según corresponda para el uso que se le dará a la bomba.

Alimentación de CC

AVISO

Diversos modelos de la serie 400B son de corriente continua (CC) a través de un motor a prueba de explosiones o no a prueba de explosiones con energía de 12 V CC o 24 V CC. Estos mismos modelos pueden o no contar con cables incluidos para la conexión de un terminal de batería positivo o negativo. Para los circuitos de 12 V CC, se debería instalar un fusible de 30 A (fusible de 20 A en motores de 24 V CC) en el cable de la batería para proteger el sistema eléctrico en caso de un cortocircuito. Este fusible se debe colocar en el cable positivo.

- Sotera recomienda encarecidamente conectar la bomba y el motor a tierra antes de cualquier uso
- Los métodos de conexión a tierra preferidos son la unión eléctrica a un bastidor del vehículo o el uso de un circuito de conexión a tierra para aplicaciones fijas. Siempre consulte con un electricista con licencia para su aplicación
- Inspeccione todos los cables de alimentación y de conexión a tierra antes de cada uso. Reemplácelos si se ha retirado la funda protectora exterior y hay cables expuestos
- Para los motores no a prueba de explosiones de 12 V CC, el cable de alimentación termina con abrazaderas para batería que son rojas (+) o negras (-); sin embargo, no se incluye un conductor de tierra
- Para los motores a prueba de explosiones de 12 V CC, en general, no se incluye el conductor de tierra, el cable de alimentación ni las abrazaderas para batería. Consulte las páginas 14-15 para conocer los componentes específicos incluidos
- **NO** conecte el conductor de tierra al borne negativo de la fuente de alimentación de CC



TIERRA / CONEXIÓN A TIERRA DEL CHASIS

Con el diagrama anterior, continúe con las siguientes conexiones:

1. Conexión a tierra (abrazadera verde u ojal)
2. Conexión negativa (abrazadera negra)
3. Conexión de alimentación (abrazadera roja)

Alimentación de CC (continuación)

- Todos los modelos no a prueba de explosiones de 12 V CC vienen con un cable de alimentación preinstalado. Los modelos de 12 V CC tendrán un portafusible y un fusible de 30 A
- Los modelos a prueba de explosiones de 12 V CC y 24 V CC no tendrán un cable de alimentación instalado, pero pueden incluir un cable de alimentación por separado, dependiendo de la configuración del modelo

Alimentación de CA



Todas las bombas de CA operarán según el voltaje nominal especificado en la placa de identificación.

Se debe suministrar alimentación de CA hacia la bomba desde un circuito dedicado con protección de circuito de 15 amperios. Este circuito no debe alimentar a ningún otro equipo.

Los cables deben tener el calibre suficiente para transportar la corriente adecuada para la bomba.

La caída de voltaje variará con la distancia a la bomba y el calibre del cable. Consulte el National Electrical Code (NEC) o los códigos locales para obtener información sobre la compensación de caídas de voltaje y asegurarse de que está utilizando un cableado del calibre correcto para su aplicación. Los cables de menor tamaño se pueden sobrecalentar y provocar un incendio.

Asegúrese de que haya una conexión a tierra adecuada para evitar una electrocución.

Los modelos de la serie 400B con motores a prueba de explosiones están clasificados para lugares Clase 1, División 1. Se recomienda encarecidamente que cualquier reparación la realice un distribuidor autorizado para evitar invalidar la garantía. Es importante mantener la integridad a prueba de explosiones del motor y los componentes del sistema.

La instalación del cableado eléctrico **SOLO** debe realizarlo un electricista con licencia que cumpla los códigos de electricidad locales, estatales y nacionales (NEC/ANSI/NFPA 70, NFPA30 y NFPA 30A), según corresponda para el uso que se le dará a la bomba.



La caída de voltaje en el cableado variará según la distancia desde la fuente eléctrica hasta la bomba y el calibre del cable que se usa. Tuthill recomienda consultar los códigos eléctricos nacionales, internacionales o locales para asegurarse de que el cable sea del tamaño correcto para su aplicación. El siguiente cuadro debe usarse como referencia y no es un sustituto para los códigos eléctricos:

Distancia lineal máxima en metros (pies) de longitud de cable de cobre sólido y trenzado por calibre								
	AWG	16	14	12	10	8	6	4
Cable	Sólido	11,9 (39)	18,9 (62)	30,2 (99)	48,2 (158)	76,2 (250)		
	Trenzado	11,6 (38)	18,6 (61)	29,3 (96)	46,9 (154)	74,7 (245)	118,6 (389)	189,0 (620)

Clases de voltaje de CA disponibles

- Motor de 115 V CA, 60 Hz, 2,5 A, 185 W (1/4 Hp), estándar no a prueba de explosiones
- Motor de 115 V CA, 60 Hz, 2,5 A, 185 W (1/4 Hp), a prueba de explosiones de la lista UL
- Todos los modelos no a prueba de explosiones de 110 V CA vienen con un cable de alimentación preinstalado. Estos modelos terminarán con un enchufe tipo B (3 clavijas) con conexión a tierra de 15 A que es compatible con tomacorrientes tipo B
- Los modelos a prueba de explosiones de 110 V CA no tendrán un cable de alimentación instalado, pero pueden incluir un cable de alimentación por separado, dependiendo de la configuración del modelo, como se describe en las páginas 14-15

Mejores prácticas operativas

El mantenimiento regular es fundamental para mantener el rendimiento y prolongar la vida útil de su bomba serie 400B.

- Siempre apague la bomba de transferencia y desconéctela de la fuente de alimentación antes del mantenimiento
- Siempre enjuague completamente la bomba antes de cualquier mantenimiento o desmontaje. Sotera recomienda el uso de agua para el enjuague de productos químicos agrícolas e industriales. Para productos a base de petróleo, como aceites y lubricantes, se acepta el enjuague con combustible diésel
- **NO PRESURICE EL LÍQUIDO DE ENJUAGUE.** Se pueden producir daños a la bomba. En lugar de esto, sumerja la tubería de succión o el adaptador de entrada en el líquido de enjuague, luego opere la bomba normalmente durante 15 a 30 segundos o hasta que el líquido de enjuague vuelva a su color inicial. Permita que la bomba se seque al aire antes de realizar mantenimiento
- **NO SUMERJA TODA LA BOMBA O EL MOTOR ELÉCTRICO EN EL LÍQUIDO DE ENJUAGUE, SOLO LA TUBERÍA DE SUCCIÓN O EL ADAPTADOR DE ENTRADA**
- No permita que los productos químicos, lubricantes o aceites permanezcan en la cavidad interna de la bomba durante períodos prolongados. Se puede producir cristalización o aglutinación, lo que puede afectar adversamente el rendimiento de la bomba
- Sotera recomienda encarecidamente el enjuague de la bomba después de cada uso para evitar el 'secado' y la contaminación entre transferencias de líquidos
- La cavidad interior de la bomba se llena con aceite SAE 30W en la fábrica para lubricar el mecanismo interno de transmisión de engranajes y el conjunto de horquilla. Ciertas reparaciones de bombas requerirán el drenaje de este líquido. Si es necesario, retire una de las tapas con mirilla que se encuentran en el exterior del cuerpo de la bomba y drene el aceite a través de este puerto. Reemplace con aceite SAE 30W nuevo después de realizar las reparaciones a través del mismo puerto. Sotera recomienda colocar 473 ml (16 oz) de aceite en el interior de la cavidad o hasta que el nivel esté a la mitad dentro de la mirilla

Programa de mantenimiento de rutina

1. Siempre revise el nivel de aceite en la mirilla antes de cualquier transferencia de líquido. El nivel de aceite ideal debería estar en la línea central o el punto medio de ambas mirillas. Agregue aceite SAE 30W según se necesite para mantener el nivel necesario
2. Inspeccione que todos los tornillos de cabeza Torx(r) externos estén apretados. Si los tornillos parecen sueltos, apriételes a 8,5 Nm (75 lb-pulg.)
3. Inspeccione que todos los pernos de cabeza hexagonal con brida del motor estén apretados. Si los pernos parecen sueltos, apriételes a 5,6 Nm (50 lb-pulg.)
4. Anualmente o después de 500 horas de uso, drene el aceite SAE 30W existente a través de un puerto con mirilla y reemplace con aproximadamente 473 ml (16 oz) del mismo aceite

Retiro y reemplazo del componente de la bomba individual *(consulte la vista despiezada de la bomba, página 13)*

⚠ ADVERTENCIA

NO DESMONTE EL CONJUNTO DE ENGRANAJE EXTERNO. Los engranajes planetarios y la corona dentada están marcados para un montaje correcto y no se debe modificar.

Nunca desmonte el conjunto de horquilla. Este se encuentra bajo extrema presión y se podrían producir lesiones.

⚠ PRECAUCIÓN

Tenga cuidado cuando retire los conjuntos de válvula de retención y diafragma para evitar daños en este último. **NO** separe el conjunto de válvula de retención/diafragma del cuerpo de la bomba con herramientas metálicas o afiladas. Las raspaduras o daños de otro tipo en el cuerpo de la bomba pueden provocar fugas.

AVISO

No intente reemplazar piezas individuales. Reemplace todo el conjunto cuando sea necesario (kit 400F6557).

Reemplazo del conjunto de diafragma

Se puede realizar mantenimiento a los conjuntos de diafragma y de válvula de retención sin retirar el aceite de la cavidad interior del cuerpo de la bomba. Es importante que solo se realice mantenimiento a un (1) conjunto a la vez. Evite que toda la contaminación posible del aceite al interior de la cavidad interna de la bomba durante esta reparación.

Procedimiento

1. Coloque la bomba sobre un costado, de modo que el diafragma que se reparará esté hacia arriba y el diafragma opuesto esté hacia abajo
2. Retire los ocho (8) tornillos de la cubierta del diafragma. Esto requerirá una punta Torx T30
3. Retire la cubierta y gírela para exponer el lado interior y evitar la contaminación. La cubierta tendrá un sello de junta. Se recomienda encarecidamente reemplazar este sello durante esta reparación
4. Retire los cuatro (4) tornillos del sujetador con un destornillador Phillips n.º 2. Estos tornillos tienen un sello o-ring asentado. Se recomienda reemplazar ambos tornillos y sellos o-ring durante esta reparación
5. Para retirar el conjunto de diafragma, tire de las cuatro esquinas de los bordes del diafragma, y tenga cuidado de no romper ni rizar el diafragma. Si es necesario, se puede tirar de los conjuntos de la válvula de retención. No use herramientas para sacar el diafragma del cuerpo de la bomba, ya que esto podría dañar la superficie de la bomba. Asegúrese de guardar las cuatro (4) bolas de retención que están dentro de la cavidad de la bomba. Estas se pueden retirar con el diafragma
6. Instale el nuevo conjunto de diafragma en la misma orientación que el que se retiró. Es importante que todas las bolas de retención estén asentadas antes de la ubicación del conjunto de diafragma
7. Inserte los cuatro (4) tornillos de cabeza Phillips y apriete a 4,0 Nm (35 lb-pulg.)
8. Instale la cubierta del diafragma con la junta instalada. Es importante apretar todos los tornillos externos con la mano antes de apretarlos a una especificación de apriete de 8,5 Nm (75 lb-pulg.)

Retiro del conjunto de motor con engranaje

1. Coloque la bomba con las tapas con mirilla hacia abajo
2. Retire los cuatro (4) tornillos que afirman este conjunto y levántelo
3. Reemplace con un nuevo conjunto de motor y engranaje proporcionado por Sotera

Retiro del conjunto de engranaje

1. Retire el motor como se indicó anteriormente
2. Retire los seis (6) tornillos y el cuñero que afirma el conjunto de paquete de engranaje al eje del motor
3. Reemplace con un nuevo conjunto, instale los nuevos tornillos y cuñero

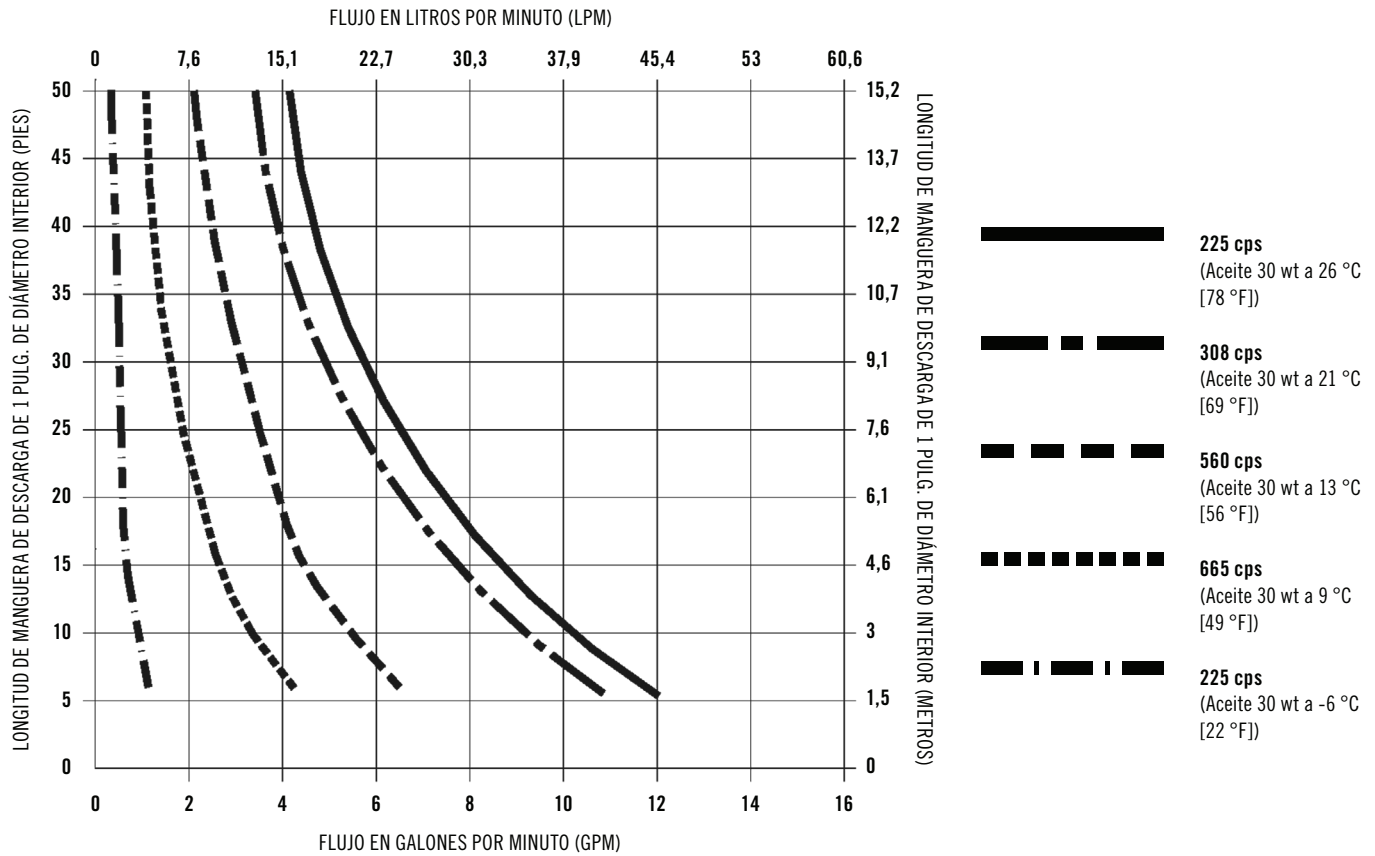
Componentes mecánicos internos (Placa de asiento, horquilla y conjunto de eje de transmisión)

1. Retire el conjunto de motor y engranaje de la cavidad de la bomba
2. Drene el aceite de la cavidad interior a través de esta abertura
3. Retire los cuatro (4) tornillos que afirman la placa de asiento
4. Retire la placa de asiento, lo que permite también el retiro de la placa de empuje
5. Retire el eje de transmisión, el cojinete, el anillo del cojinete y el conjunto de horquilla.
6. Monte en orden inverso

AVISO

El conjunto de horquilla está bajo presión con dos resortes. No intente repararlo; solo reemplace con las piezas autorizadas por la fábrica

Tabla de corrección de viscosidad



NOTAS:

- PÉRDIDAS DE SUCCIÓN:** La bomba de prueba se montó en un tambor de aceite de 208 litros (55 galones), lleno hasta la mitad. Se utilizó una tubería de succión Sotera de 1 pulg. Una tubería de entrada de un diámetro menor o más larga disminuiría el rango de flujo.
- PÉRDIDAS DE CABEZAL VERTICAL:** La manguera de prueba estaba horizontal con la bomba. Agregue 3 metros de manguera por cada metro de elevación vertical (3 pies por cada pie).
- OTRAS PÉRDIDAS:** Los codos, desconexiones rápidas, los destorcedores y válvulas de retención en las mangueras de entrada o salida restringirán el flujo. Agregue la cantidad calculada de longitud de manguera por cada componente que se use.

Compatibilidad de líquidos por diafragma (típica)

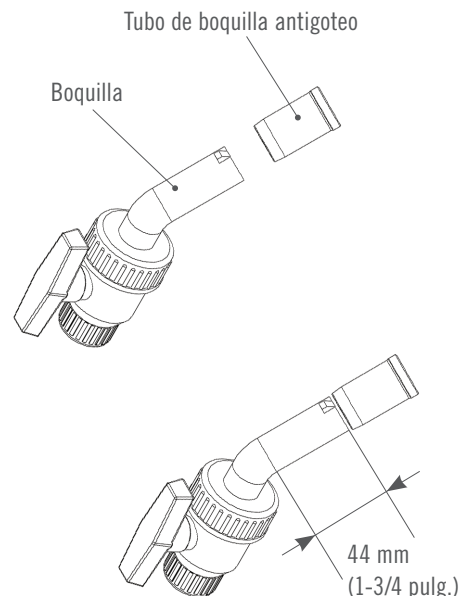
HYTREL (PETRÓLEO)		SANTOPRENE (SUSTANCIA QUÍMICA)	
• Aceite de engranaje [GL-1 a GL-5]	• Aceite de motor	• Aceite de cultivo	• Ácidos suaves
• Aceite hidráulico [HL, HM, HR]	• Grasas 000	• Detergentes	• Pesticidas
		• Fertilizantes líquidos [UAN 28-32]	• Jabones
			• Agua

Kit de tubo de boquilla antigoteo 400KTF0237

Para uso con boquillas Norwesco u otras, con un diámetro exterior de 30 mm (1-3/16 pulg.).

Instalación

1. Si existe una muesca de plástico levantada en la boquilla, quítela cuidadosamente con una lima, antes de instalar el tubo antigoteo
2. Aplique agua con jabón en el extremo para facilitar la instalación. Coloque el tubo antigoteo en la boquilla como se muestra a la derecha. Dé pequeños golpes en el tubo con un mazo de goma, hasta que esté completamente enganchado. El espacio entre el extremo del tubo y la curva en la boquilla debe ser algo superior a 44 mm (1-3/4 pulg.) cuando se presione completamente en su lugar

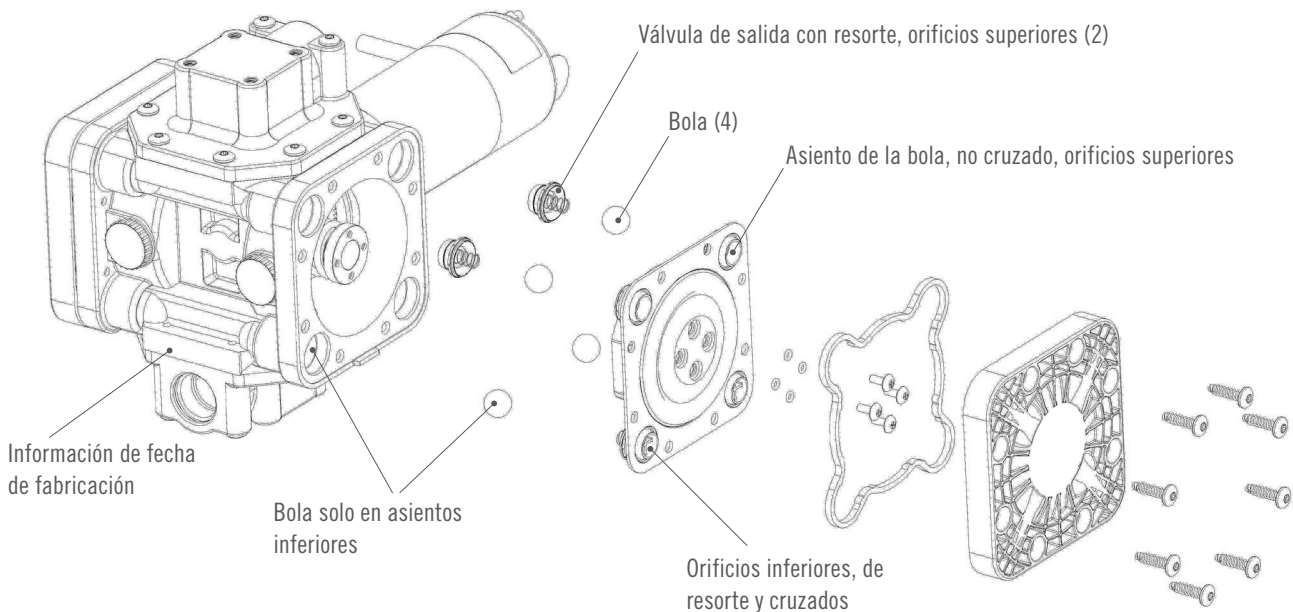


Uso adecuado

Coloque la boquilla en el recipiente que se va a llenar **ANTES** de encender la bomba.

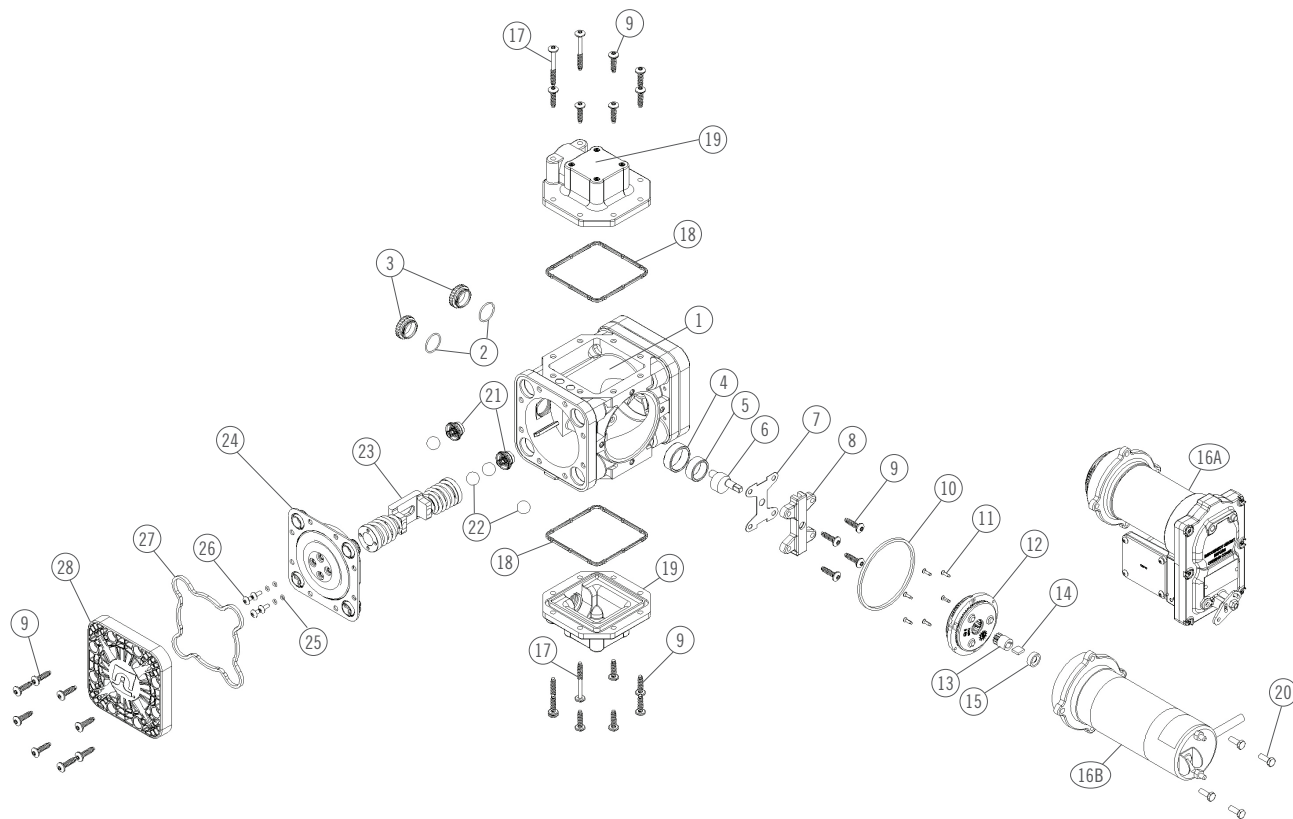
Después del bombeo, cierre la manilla de la válvula y luego sacuda suavemente la boquilla **ANTES** de sacarla del recipiente. El tubo se abrirá cuando detecte una presión superior a 0,07 bar (1 psi). La restricción de flujo será mínima.

Detalle de orientación de la válvula de retención y el diafragma



Guía de solución de problemas

SÍNTOMA	CAUSA POSIBLE	SOLUCIÓN
La bomba no ceba	Problema de la tubería de succión	Verifique si hay fugas en la tubería de succión
	Válvulas de retención con fugas	Verifique si las válvulas de retención están dañadas o sucias y reemplace
	Válvulas de retención mal instaladas	Verifique que la instalación sea correcta
	Salida obstruida	Verifique si hay obstrucción y despeje
	El motor no funciona	Verifique la fuente de alimentación
	Engranajes desgastados o dañados	Repare o reemplace el motor. Verifique si el conjunto de engranaje o el engranaje de transmisión están dañados. Reemplace todo el conjunto si es necesario
La bomba emite un zumbido, pero no gira	Motor defectuoso	Reemplace el motor
	Mecanismo de engranaje agarrotado	Verifique que los engranajes giren libremente
Capacidad baja de la bomba	Bajo voltaje	Verifique la fuente de alimentación
	Tubería de succión con fugas	Repare las fugas
	Suciedad en la válvula de retención	Desmonte y limpie
	Válvulas de retención defectuosas	Instale el kit de reparación
	Ingreso de residuos	Agregue una rejilla de entrada
Sobrecalentamiento del motor	Bombeo de líquidos calientes	Acorte el ciclo de servicio
	Motor defectuoso	Reemplace el motor
Fugas de líquido	Juntas faltantes o dañadas	Instale todas las juntas especificadas en la lista de piezas
	Pernos sueltos	Apriete todos los pernos de cabeza torx de 1/4 pulg. a 8,6 Nm (76 lb-pulg.)
	Componente con grietas	Apriete los pernos del motor de cabeza hexagonal 1/4-20 a 5,6 Nm (50 lb-pulg.). Reemplace los componentes defectuosos



LISTA DE PIEZAS

ELEMENTO	DESCRIPCIÓN	CANT.	ELEMENTO	DESCRIPCIÓN	CANT.
1	Cuerpo de la bomba	1	15	Sello de labios del eje, eje del motor 400	1
2	Sello o-ring de nitrilo, -022	2	16A, 16B	Conjunto de motor (consulte las siguientes tablas para obtener información específica del motor)	1
3	Tapa con mirilla	2	17	Tornillo, 1/4 - 10 x 2,25 PTS de acero inoxidable	4
4	Anillo del cojinete	1	18	Junta de la brida, EPDM	2
5	Casquillo, 1,250 diámetro exterior x 1,00 diámetro interior	1	19	Brida de 90° con insertos	2
6	Eje de transmisión	1	20	Tornillo, 1/4 - 20 x 0,750 de longitud	4
7	Placa de empuje	1	21	Válvula de retención de salida	4
8	Placa de asiento	1	22	Bola	8
9	Tornillo, 1/4 - 10 x 1,00 PTS de acero inoxidable	32	23	Conjunto de horquilla	1
10	Sello o-ring de nitrilo maquinado	1	24	Conjunto de diafragma	2
11	Tornillo trilobular de cabeza plana de 6-32	6	25	Sello o-ring, EPDM, -007	8
12	Conjunto de paquete de engranaje	1	26	Tornillo mecánico de cabeza plana, 10 - 24 x 0,5 de longitud	8
13	Engranaje de transmisión	1	27	Junta de la cubierta del diafragma, EPDM	2
14	Cuñero del rotor	1	28	Cubiertas de diafragma	2

ELEMENTO	MOTORES CON CERTIFICACIÓN CE/DE LA LISTA UL	CANT.	ELEMENTO	MOTORES PARA SERVICIO ESTÁNDAR	CANT.
16A	A prueba de explosiones, cumple CE, de 12 V CC	1	16B	12 V CC	1
16A	A prueba de explosiones, en la lista de UL, de 12 V CC	1	16B	115 V CA	1
16A	A prueba de explosiones, en la lista de UL, de 24 V CC	1			
16A	A prueba de explosiones, en la lista de UL, de 115 V CA	1			

Información de modelo de la 400B

APLICACIONES DE LÍQUIDOS LUBRICANTES ¹					
NÚMERO DE MODELO	VOLTAJE	CONFIGURACIÓN DE ENTRADA ²	ENTRADA DE SUCCIÓN DE ACERO	ACCESORIOS	
				DESCARGA	
				BOQUILLA MANUAL DE 1 pulg.	MANGUERA ³
DIAFRAGMA DE HYTREL/NBR					
FR205B	24 V CC UL EXP.	AA	Sin accesorios		
FR205BX054		BB	Sin accesorios		
FR210B		AA	X	X	3,7 m (12 pies)
FR405BEXP054	12 V CC UL EXP.	BB	Sin accesorios		
FR410B	12 V CC	AA	X	X	3,7 m (12 pies)
FR410BEXP	12 V CC UL EXP.		X	X	3,7 m (12 pies)
FR450B	115 V CA		X	X	3,7 m (12 pies)

CONFIGURADORES DE ACCESORIOS POR MODELO⁴

MODELO	VERSIÓN	ACOPLADOR HEMBRA DE CERROJO DE LEVA	NIPLE CORTO DE POLIPROPILENO DE 25 mm (1 pulg.)	CASQUILLO REDUCTOR DE POLIPROPILENO DE 51 mm A 25 mm (2 pulg. A 1 pulg.)	BOQUILLA Y VÁLVULA DE BOLA DE 25 mm (1 pulg.)	CONEXIONES ACANALADAS Y ABRAZADERAS DE MANGUERA	MEDIDOR DIGITAL		BASTIDOR
							825	850	
Pump-N-Go	A	2 pulg.	-	X	X	X	-	-	-
Chemtraveller®	A	1 pulg.	X	-	X	X	X	-	Corto
	B	2 pulg.	X	X	X	X	-	X	Corto
	C	2 pulg.	X	X	X	X	-	-	Corto
	D	1 pulg.	X	-	X	X	X	-	Alto
	E	-	-	-	-	X	X	-	-
Mix-N-Go	A	-	-	-	X	X	X	-	-

¹Siempre consulte la Guía de resistencia química de Sotera (Sotera.com), ²Consulte la Hoja de datos técnicos de Sotera, tabla Succión, columna Configuración de entrada para conocer más detalles, ³No UL con manguera de combustible metálica estática, ⁴Consulte la Hoja de datos técnicos de Sotera, columna Versión para obtener información específica del modelo de la serie 400B

Información de modelo de la serie 400B (continuación)

PRODUCTOS QUÍMICOS: AGRÍCOLAS E INDUSTRIALES ¹										
		ACCESORIOS								
		ENTRADA DE SUCCIÓN				DESCARGA				
DIAFRAGMA DE SANTOPRENE / EDPM										
NÚMERO DE MODELO	VOLTAJE	ENTRADA	POLIPROPILENO ²	MANGUERA ³	POLIPROPILENO ANTIGOTEADO	MANGUERA ³	ESPECIAL	VERSIÓN ⁴		
SS411BCEXP	12 V CC CE EXP.	FF	Sin accesorios					-		
SS413BCEXP		EE	-	1 m (39 pulg.)	X	3,7 m (12 pies)	Pump-N-Go	A		
SS415B	12 V CC	AA	Sin accesorios							
SS415BX670		EE								
SS415BEXPX670	12 V CC UL EXP.	EE								
SS415BX731	12 V CC CON SOPORTE	AA								
SS415BX731PG		AA	X	1 m (39 pulg.)	X	3,7 m (12 pies)	Pump-N-Go	A		
SS417B	12 V CC	DD	X	-	X		Incluye válvula de bola de 1 pulg., conexiones acanaladas y abrazaderas de manguera	-		
SS419BX665		CC	X	-	X		Acoplador Monsanto, soporte para bomba	-		
SS420B		AA	X	-	X		Soporte colgante de boquilla en la bomba	-		
SS425B		-	-	1 m (39 pulg.)	X		Montaje de contenedor IBC con conectores	-		
SS435B		-	-	2,7 m (9 pies)	X		Chemtraveller	A		
SS435BCEXP		12 V CC CE EXP.	EE	-	2,7 m (9 pies)			X		
SS435BX675		12 V CC	EE	-	2,7 m (9 pies)			X	Chemtraveller	B
SS435BX700			-	-	2,7 m (9 pies)			X	Chemtraveller (Todos EPDM)	A
SS435BX713			-	-	2,7 m (9 pies)		X	Chemtraveller	C	
SS435BEXPX703	12 V CC UL EXP.	-	-	2,7 m (9 pies)	X					
SS445B	12 V CC	TAPA GEM DE 9 pulg.	X	-	X		Mix-N-Go con válvula de recirculación y de retención	A		
SS445BX700			X	-	X		Mix-N-Go con válvula de recirculación y de retención (Todos EPDM)	A		
SS445BX727			X	-	X		Mix-N-Go con válvula de recirculación y de retención	A		
SS460B	115 V CA	AA	X	-	X		Soporte colgante de la boquilla en la bomba, boquilla de válvula de bola de 1 pulg., conexiones acanaladas y abrazaderas			
SS460BX674		EE	X	-	X					
SS460BX731	115 V CA CON SOPORTE	CC	X	-	X					
SS460BX731PG		CC	X	-	X			Pump-N-Go	-	
SS465BEXP	115 V CA UL EXP.	EE	-	2,7 m (9 pies)	X		Chemtraveller	D		
SS465BX713	115 V CA		-	-	2,7 m (9 pies)	X	Chemtraveller	E		
SS470B			-	-	1 m (39 pulg.)	X	Montaje de contenedor IBC con conectores	-		

¹ Siempre consulte la Guía de resistencia química de Sotera (Sotera.com), ² Tubería de succión de polipropileno telescópica (584 mm a 1016 mm [23 pulg. a 40 pulg.]), ³ Manguera de EPDM, ⁴ Consulte la página 14, tabla Configurator de accesorios

Información de cumplimiento normativo



Las bombas serie "400B CE" cumple la Directiva europea 2006/42/CE relativa a las máquinas

Se usaron las siguientes normas para verificar el cumplimiento:

EN 809:1998 +A:2009: Bombas y unidades de bombeo para líquidos. Requisitos comunes de seguridad

EN ISO 12100:2010: Seguridad de las máquinas. Conceptos básicos y principios generales para el diseño

Directiva 2014/30/UE: Compatibilidad electromagnética

EN 61000-6-4:2007 / +A1:2011: Norma general para ambientes industriales

Directiva 2011/65/UE: Restricciones a la utilización de ciertas sustancias peligrosas en aparatos eléctricos y electrónicos



Modelos específicos de las bombas serie 400 cuentan con motores eléctricos en la lista UL / cUL. Compare su modelo con la tabla **INFORMACIÓN DE MODELO, ACCESORIOS Y CONFIGURACIÓN** (páginas 14 y 15) para determinar cómo está equipada su bomba.

SOTERA®

Fill-Rite Company

8825 Aviation Dr, Fort Wayne, IN 46809 USA

P (800) 720-5192 | (260) 747-7524

F (800) 866-4861

fillrite.com | soteracom | gormanrupp.com